

Commercial Ice Maker

Models:

BIM85 LIM86
BIM125 LIM124
BIM210 LIM212



User Manual

BEFORE USE, PLEASE READ AND FOLLOW ALL SAFETY RULES AND OPERATING INSTRUCTIONS.

Write Model and Serial Numbers here:


Model _____

Serial No. _____

Felix Storch, Inc.
An ISO 9001:2015 registered company
770 Garrison Ave
Bronx, New York 10474
www.summitappliance.com

Table of Contents

Important Safety Information.....	1
Warning and Safety Instruction.....	2
General Information.....	3
Installation.....	3
Location for Installation.....	3
Schematic Diagram of Installation.....	4
Installation Steps.....	4
Startup and Operation.....	5
Operation Instruction.....	5
Instruction of Control Panel.....	6
Maintenance.....	7
Clean Function.....	8
Service Call.....	9
Troubleshooting.....	9
Limited Warranty.....	11

 Note: Please keep this manual in a place accessible to users at any time.

This product uses eco-friendly hydrocarbon refrigerant and fully complies with California CARB regulations.

However, we are required by California Law to provide the following disclosure statement in every product sold in California.

"This equipment is prohibited from use in California with any refrigerants on the 'List of Prohibited Substances' for that specific end-use, in accordance with California Code of Regulations, title 17, section 95374. This disclosure statement has been reviewed and approved by Felix Storch, Inc. and Felix Storch, Inc. attests, under penalty of perjury, that these statements are true and accurate."

This product does **not** use any refrigerants on the 'List of Prohibited Substances'"



WARNING: This product can expose you to chemicals including Nickel (Metallic) which is known to the State of California to cause cancer.

For more information go to www.P65Warnings.ca.gov

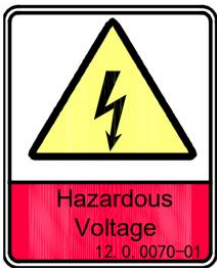
Note: Nickel is a component in all stainless steel and some other metallic compositions.

Important Safety Information

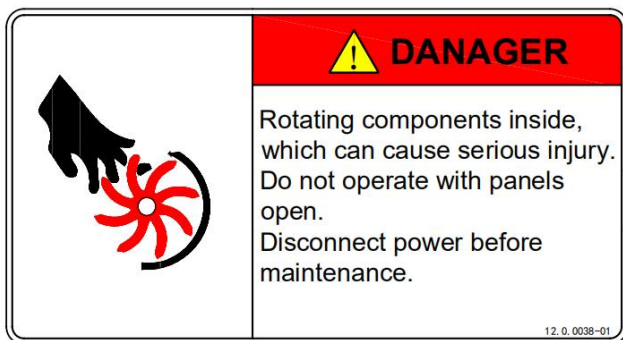
Please pay attention to the following warning labels on the ice maker



The label indicates a hazardous voltage. There is a risk of electric shock.



The label indicates a hazardous voltage. There is a risk of electric shock.




The label indicates rotating components inside. There is a risk of serious mechanical injury.




R290

The label indicates a flammable refrigerant “R290” used. There is a risk of fire.

(Note: Some models use R404a refrigerant, the safety grade of this refrigerant is A1, which belongs to the highest level, and there will be no special remarks later.)

 **Warning:** The ice making water inlet of ice maker can only be connected with drinking water, and groundwater or other non drinking water sources can not be used.


Instruction of symbols in this Manual

 Alert Sign: Indicating the item requiring particular attention.

 Warning Sign: Special attention is required and operation is prohibited.

Warning and Safety Instruction

 This product cannot be used in outdoor environment.

 This water chiller is not intended for use by children or individuals with physical disabilities, developmental delays, or mental health conditions.

- ✦ The installation, repair or maintenance of this ice machine must be carried out by professional and qualified personnel, or electric shock, fire, personal injury may cause from incorrect operation.
- ✦ After the ice machine is delivered, please keep the machine still upright for more than 24 hours, to have the lubricant be fully precipitated before startup, otherwise the compressor may be damaged.
- ✦ When the power cord of the ice maker is damaged, in order to avoid electric shock, fire or personal injury, it must be replaced by the manufacturer or professional and qualified personnel.
- ✦ The water pipe assembly in the accessory box of the ice maker must be used. In order to ensure food safety, the water pipe assembly removed from the old machine should not be used.
- ✦ When handling, keep the cabinet upright, with the inclination not exceeding 45 degrees. Do not invert the machine or lay it horizontally.
- ✦ This ice machine should not be placed in wet or easily splashed area.
- ✦ The grounding of this ice machine cannot be connected to gas pipe, water pipe, telephone line or lightning rods, etc.
- ✦ There are rotating components in this ice machine. Do not insert slim objects into ventilation or exhaust ports, or serious mechanical injury may occur.
- ✦ Do not store volatile or flammable substances in this ice machine, or it may result in explosion or fire.
- ✦ Do not store any **sundries**, or freeze any food in the storage bin. Keep the ice scoop clean.
- ✦ The ice machine must be placed on the floor sufficient to supports its weight. Insufficient base may cause the equipment fall over and cause injury.
- ✦ There should be sufficient ventilation space around the ice machine. Keep good ventilation.
- ✦ Only the power supply specified on the machine nameplate can be used with this ice machine.
- ✦ This ice machine cannot be connected to hot water.
- ✦ Socket for this ice maker must be reliably grounded and with leakage protection.
- ✦ The ice machine must be disconnected from power before manual cleaning, repairing and maintenance.
- ✦ Before cleaning, repairing and maintenance, the remaining ice in the ice bin should be removed from the ice machine to avoid contamination to ice.
- ✦ Do not splash water directly onto the surface of the ice machine during the cleaning process; otherwise it may cause short circuit, leakage or other faults.
- ✦ Flammable foaming agent is used during the foaming process. The ice maker should be disposed of and recycled by qualified personnel and institutions.
- ✦ The ice machine should be properly managed to ensure that children will not play with the machine.

When the ice machine malfunctions, turn off the power and contact professional personnel for repairing.



R290

For the ice maker with flammable refrigerant R290:

- DANGER – RISK OF FIRE OR EXPLOSION. FLAMMABLE REFRIGERANT USED. MUST BE ENOUGH VENTILATION SPACE AROUND THE ICE MAKER TO KEEP THE VENTILATION SMOOTH.
- DANGER – RISK OF FIRE OR EXPLOSION. FLAMMABLE REFRIGERANT USED. DO NOT USE MECHANICAL DEVICES TO DEFROST REFRIGERATOR. DO NOT PUNCTURE REFRIGERANT TUBING.
- DANGER – RISK OF FIRE OR EXPLOSION. FLAMMABLE REFRIGERANT USED. TO BE REPAIRED ONLY BY TRAINED SERVICE PERSONNEL. DO NOT PUNCTURE REFRIGERANT TUBING.
- DANGER – RISK OF FIRE OR EXPLOSION. FLAMMABLE REFRIGERANT USED. DO NOT USE ANY ELECTRICAL APPLIANCES IN THE ICE STORAGE BIN OF THE ICE MAKER.
- CAUTION – RISK OF FIRE OR EXPLOSION. FLAMMABLE REFRIGERANT USED. CONSULT REPAIR MANUAL/OWNER'S GUIDE BEFORE ATTEMPTING TO SERVICE THIS PRODUCT. ALL SAFETY PRECAUTIONS MUST BE FOLLOWED.
- CAUTION – RISK OF FIRE OR EXPLOSION. DISPOSE OF PROPERLY IN ACCORDANCE WITH FEDERAL OR LOCAL REGULATIONS. FLAMMABLE REFRIGERANT USED.
- CAUTION – RISK OF FIRE OR EXPLOSION DUE TO PUNCTURE OF REFRIGERANT TUBING; FOLLOW HANDLING INSTRUCTIONS CAREFULLY. FLAMMABLE REFRIGERANT USED.

General Information

The ice machine is fully automatic. With proper installation and connection to a potable water source and power supply, the ice-making process will start as intended. When the ice cubes fill the storage bin, the machine will automatically stop. The ice machine is generally used in the following settings and similar occasions:

- The kitchen area of a store, office or other workplace
- Farm, hotel, car hotel and restaurant
- Catering and similar non-retail occasions
- This ice machine is not intended for used at home

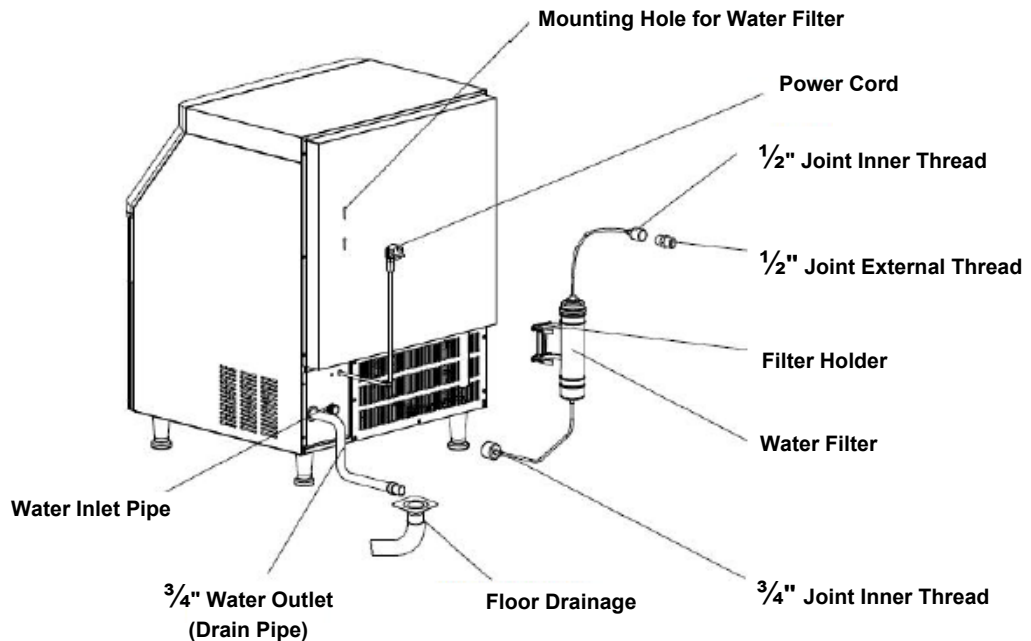
Installation

Location for Installation

The ice machine should be installed in a proper location meeting the following conditions:

- Indoor: No more than 2,000 meters above sea level
- Ambient Temperature: 41-104°F (5-40°C)
- Power Supply: The rated voltage indicated on the machine nameplate $\pm 6\%$
- Water Source: Potable water, with water pressure from 0.13MPa to 0.55MPa
- Water Temperature: 41-95°F (5-35°C)
- The ice machine should be kept away from heat sources, and should be strictly forbidden to use at extremely high temperature or low temperature environment, and should avoid direct sunlight.
- There should be sufficient ventilation space around the ice machine and keep good ventilation
- The ice machine must be placed on a floor sufficient to support its weight
- Socket for the ice maker must be reliably grounded and with leakage protection
- Proper floor drainage must be provided near the installation location of the ice machine

Schematic Diagram of Installation



Installation Steps

1. Check that the ice machine is in good condition and that all accessories are complete. Verify the machine model and review the nameplate.
2. Open the bin door and remove the packaging tape from the ice thickness sensor and the flap. This tape is only meant to prevent damage during transportation.
3. Clean the ice storage bin and the food area inside using a sponge soaked in warm water and baking soda. Rinse thoroughly with potable water and dry the surfaces.
4. Place the ice machine in the designated operational area, ensuring it is on a level floor. This helps ensure proper water flow on the evaporator.
5. The compressor chamber is located beneath the front of the ice bin, housing both the compressor and condenser. Ensure there is adequate ventilation by leaving at least 8-12 inches (20-30 cm) of space in front of and behind the ice maker.
6. The bottom of the ice machine has adjustable legs for leveling and for ease of cleaning the floor beneath it.
7. Connect the machine's inlet water filter and water pipe according to the installation schematic. If the installation site already has a drinking water system, the water filter may not be necessary.
8. Use the supplied 3/4" inlet pipe to connect the machine to the water supply. It is recommended to install a water valve (not included with this machine) on the water supply line.
9. Attach the drain pipe to the drain connection. For effective drainage, ensure the drain pipe has a slope of more than 3 cm per meter and verify that it is not blocked. It is best to connect the drain pipe to an open drainage port.
10. Ensure no point in the drainage pipeline is higher than the drainage outlet of the machine or any preceding point.
11. Check the power requirements on the machine's nameplate to ensure that the power supply meets these specifications.
12. A circuit breaker or switch with a leakage protector and reliable grounding is necessary.
13. Turn off the switch on the power line and connect the machine to the power source.

⚠ Note: The filter flow direction should be correctly installed as per the direction marker on the filter head cover or the filter body.

⚠ Note: This machine is equipped with an inlet water filter. The filter will have impurities from the water accumulated as the machine is running. Generally, it needs to be replaced every month to every 3 months.

Startup and Operation


1. Before you start up the machine verify the following:

- That the packaging tape inside the ice machine has been removed.
- The accessories or items in the ice bin have been removed.
- The ice machine has been leveled
- The water pipe has been connected and the water valve is open
- The plug has been connected to the power supply and the power switch is off.
- The ambient temperature, water temperature, and pressure of the water supply meet the above requirements.

2. **Start Up:** Once the power supply and water source are properly connected, activate the button (switch) on the panel to enter normal working mode. The system operates automatically without the need for personnel on duty.

Operation Instruction


- **Startup:** After completing the installation, connect the water source and turn on the power supply. The machine will begin operating. Please verify that the machine is functioning normally during its first use.
- **Self-Check:** When powered on for the first time, the ice maker will perform a self-check and pump out any remaining water.
- **Preparing:** After the ice machine is powered on, the inlet valve opens, allowing water to flow in until it reaches the set level. The ice maker will then perform a defrost cycle.
- **Ice Making:** After pre-cooling for 30 seconds, the water pump starts, the water flows through the evaporator smoothly and evenly. The ice cubes will gradually form in the ice cube tray.

 **Note:** Please turn off the power during thunderstorms or if the system will not be in use for an extended period.

3. For normal operation, please confirm:

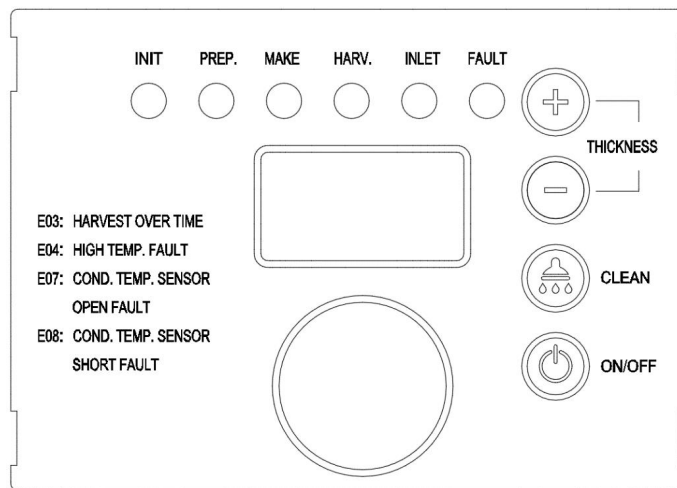
- ✓ There is water in the water trough and no overflow occurs.
- ✓ The pump is working properly and water is flowing evenly on the evaporator.
- ✓ The compressor is running normally, the temperature of the evaporator and the ice making water is gradually decreasing.
- ✓ The fan is running normally, and there is stable air flow in the inlet and outlet of the ice machine.
- ✓ The ice machine has no abnormal noise.
- ✓ The ice machine has no abnormal vibration.
- ✓ It takes about 10 to 20 minutes to make one batch ice, depending on the ambient temperature and the temperature of the water. The higher the temperature is, the longer the ice making will take.
- ✓ Ice cube can be properly defrosted from the machine.

- **Ice Harvest:** When the machine reaches the designated ice-making time, the pump will shut down, and the frost valve will open, allowing hot air into the evaporator. After approximately 2 minutes, the ice will completely drop from the evaporator into the ice bin. To avoid injury, please do not place your hands in the ice bin during the ice fall process.

 **Warning:** Do not put your hand into the ice storage bin during the ice-falling process to prevent the ice from hitting your hand.

- **Shutdown:** During operation, press the button (switch) on the panel to stop the machine.
- **Bin Full Stop:** The machine will automatically shut down when the ice bin is full. As ice accumulates in the bin, it will reach a height that blocks additional ice from falling. Eventually, the full bin will prevent the sliding board from rebounding and resetting. Once the machine detects this condition for a few moments (approximately 30 seconds) and confirms that the ice bin is full, it will stop automatically.
- **Repeat Ice-Making:** The machine will resume operation once the excess ice is removed, allowing the sliding board to rebound and reset in a few seconds.

Instruction of Control Panel



1. LED Display:

- Self-Check: Display "INI" code.
- Preparing: Counts up in seconds.
- Ice Making: Counts up in seconds until the water reaches 32°F (0°C). Once the water temperature hits 32°F (0°C), the evaporator begins to freeze, and the digital display starts counting down. When the countdown reaches 0, the ice-making cycle ends.
- Ice Harvest: Counts up in seconds..
- Clean: Displays "CLE" during cleaning and sterilizing; Display "RIN" during rinsing.

2. LED Lamps: Lights on during the related process.

3. Ice Cube Thickness Adjustment:

During the ice-making process, if you are not satisfied with the ice thickness, press the "-" button for 3 seconds. Then, use the "+" or "-" buttons on the panel to adjust the thickness of the ice cubes.

⚠ Note: By clicking the "+" or "-" button one time, the ice making time is extended or shortened by 1.5 minutes.

4. Cleaning: Hold the cleaning button for 3 seconds to start the cleaning process. Add cleaning agents to the water trough. Once finished, the machine will resume ice making.

5. Switch: Click the "Switch" button to turn the device OFF or ON.

6. Voice Function (may vary by model): The machine provides voice prompts for operations.

7. Handling the Door: Open and close the storage bin door gently; do not slam it. Ensure it is closed after retrieving ice cubes.

8. Long-term Use: If the machine will not be used for an extended period, it should run for 2 to 4 hours every two months.

Other Special Protection - Shutdown

- If the ice machine has not detected ice cube falling off in three cycles, it will shut down for safety protection. The ice maker needs to be checked.
- The ice machine detects that the ambient temperature is too high and will stop for safety protection.
- If the water-cooled ice machine detects an abnormality in water supply, it will stop for safety protection.
- The fault code and its comments are displayed as follows:

Code	Comments	Machine Action
E01	Sliding board fails	Protective shutdown
E03	Overtime of ice making	Protective shutdown
E04	High temperature	Protective shutdown
E05	Water shortage	Protective shutdown
E06	High pressure	Protective shutdown
E07	Condensation sensor open circuit	Not stop Error LED light on every 5s
E08	Condensation sensor short circuit	Not stop Error LED light on every 5s

Maintenance

⚠ Note: Maintenance must be done by a qualified professional person.

⊘ Warning: Before maintenance or manual clean, be sure to cut off the water source and power supply.

Exterior Cleaning

- Frequently clean the environment around the ice machine to keep it clean. Do not block the vents.
- The outer enclosure should be cleaned with a mild detergent and then wiped clean. If necessary, use commercial stainless steel cleaners and polishes.

⚠ Note: Stainless steel may rust without proper maintenance.

Inlet Water Filter

- The filter element should be inspected regularly. It is recommended to replace filter element every month to every 3 months.

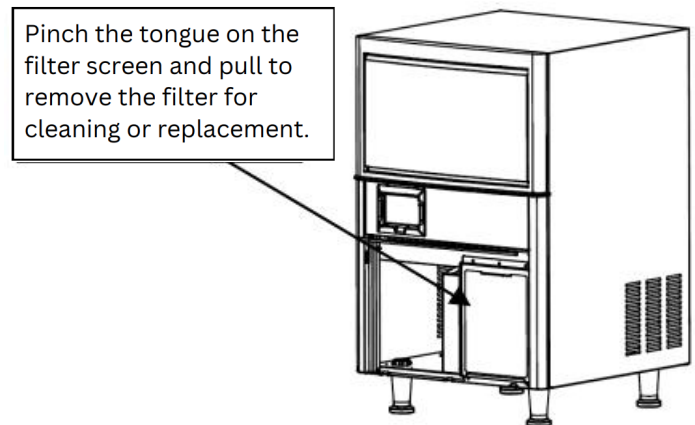
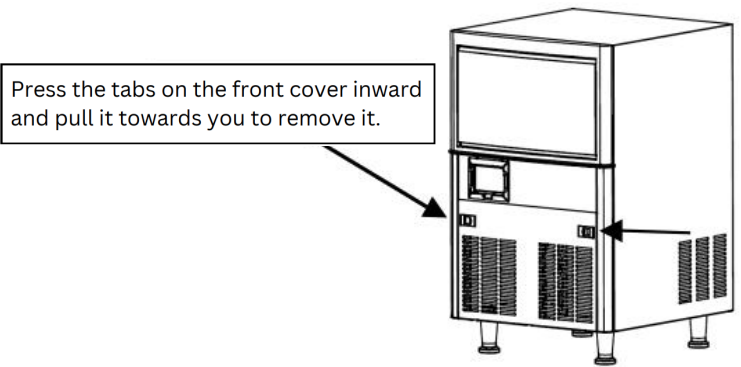
Interior Cleaning

- The inside of the ice storage bin can be washed directly with water pipes.

⚠ Note: Check and confirm the water pressure lower than the maximum allowed pressure. Do not flush the part above the water pump or the evaporator directly for water protection.

Condenser

- For the air-cooled ice maker, the condenser should be cleaned every three weeks. Use a soft brush or a vacuum cleaner with a brush to brush it up and down along the fin direction, to avoid damage to the fins and further affecting the cooling effect.
- The condenser filter should be cleaned every 2 weeks.



⚠ Note: Be careful when doing the condenser cleaning as the edges of the fins are sharp.

Water Pipe

- In order to ensure food safety, the water pipe of the ice machine should be cleaned regularly.

Wintering

- Turn off the water and power supply, drain the residual water from the water trough, inlet pipe and drain pipe.

⚠ The maintenance of the ice machine is not covered by the manufacturer's warranty.

Clean Function

⚠ Note: Please empty the bin of ice in advance.

⚠ Note: Please clean and sterilizing the bin and do complete rinsing.

⚠ Note: Please clean and sterilizing the ice sliding board, water distribution pipe, water supply pipe, then do complete rinsing.

- Turn on the ice maker: Press and hold the “Clean” button for 3 seconds. The ice maker will begin the cleaning process. Wait until the water has finished cycling, at which point the LED display will flash “Clean”. Then, drain the water from the water trough.
- Manually add the appropriate amount of clean solution as instructed in the cleaning and sterilizing process. Press the “Clean” button again, and the ice maker will automatically clean for about 15 minutes. During this time, spray clean the evaporator to ensure a thorough cleaning. When the process is finished, the LED display will flash “Clean” again.
- Drain the water from the water trough.
- Manually add the appropriate amount of sterilizing solution according to the cleaning and sterilizing process instructions. Press the “Clean” button again, and the ice maker will automatically sterilize for about 15 minutes. During this time, spray the evaporator with the sterilizing solution to ensure thorough coverage. Once finished, the ice maker will enter the rinsing process, which will take approximately 25 minutes.
- The ice maker will resume ice production immediately after the cleaning process ends.
- Discard the next 5 batches of ice to ensure any remaining cleaner is removed.

Service Call

If the water chiller encounters an issue, please verify the following before contacting support:

1. Confirm if the water supply is normal.
 - ✓ Check for water in the water trough
 - ✓ Ensure water pressure is between 0.13 and 0.55 MPa and temperature is 41-95°F (5-35°C).
 - ✓ Ensure the water valve is open.
 - ✓ Ensure there are no leak.
2. Check if the power is on.
 - ✓ Check if the indicator is ON.
 - ✓ Check if the display isn't in OFF mode.
 - ✓ If the LED is off, check the plug, socket, and power switch.
3. Check nameplate and serial number
 - ✓ Check the nameplate on the side or back of the ice machine and record the model and serial number.

Troubleshooting

Problem	Potential Cause	Troubleshooting
Not working Indicator is OFF	Power switch not turned on Plug is loose	Turn on the power switch Check plug and socket
Shuts down every 3 minutes Displays E04 (high temperature) Displays E06 (high pressure protection)	Ambient temperature is too high Condenser is dirty or blocked High pressure switch wires are disconnected Fan is not starting	Set temperature to 41 - 104°F (5 - 40°C) Clean the condenser Reconnect high pressure switch wires Check and fix the fan
Abnormal ice defrosting	Ambient temperature too low Defrost valve is not functioning Ice thickness is incorrect (too thin or too thick)	Normal working temperature range of 41 - 104°F (5 - 40°C) Check and correct the defrosting valve Check and correct ice thickness setting
Poor transparency of ice cubes Ice cubes too thin or incomplete	Ice thickness too thin Water pressure too low Water temperature too high Inlet water valve does not work Inlet water valve is dirty and blocked Water leak Inlet water filter has not been replaced for a long time	Check and correct ice thickness setting Check that the water supply pressure is 0.13MPa to 0.55MPa Water temperature of 41 - 95°F (5 - 35°C) Check and correct the inlet water valve Check whether water leaks and correct Check and correct the inlet water filter
Slow ice production	The condenser or air filter is dirty High ambient temperature Poor ventilation Water temperature is too high	Clean the condenser and filter screen Normal working temperature range of 41 - 104°F (5 - 40°C) Check the environment around the ice machine Check the water supply temperature of 41 - 95°F (5 - 35°C)
Excessive noise	The ice machine is not on a level surface, or the ice maker is not properly leveled.	Level the ice machine

If you have checked the information above and you still need help with your appliance, call our Customer Service facility at 800-932-4267 (Ext. **513**) between 9:00 AM and 5:00 PM ET or visit our website summitappliance.com/support at any time. We will do our best to answer your questions.

NOTES

LIMITED WARRANTY

ONE-YEAR LIMITED WARRANTY

Within the 48 contiguous United States, for one year from the date of purchase, when this appliance is operated and maintained according to instructions attached to or furnished with the product, warrantor will pay for factory-specified parts and repair labor to correct defects in materials or workmanship. Service must be provided by a designated service company. Outside the 48 states, all parts are warranted for one year from manufacturing defects. Plastic parts, shelves and cabinets are warranted to be manufactured to commercially acceptable standards, and are not covered from damage during handling or breakage.

5-YEAR COMPRESSOR WARRANTY

1. The compressor is covered for 5 years.
2. Replacement does not include labor.

ITEMS WARRANTOR WILL NOT PAY FOR:

1. Service calls to correct the installation of your appliance, to instruct you how to use your appliance, to replace or repair fuses or to correct wiring or plumbing.
2. Service calls to repair or replace appliance light bulbs or broken shelves. Consumable parts (such as filters) are excluded from warranty coverage.
3. Damage resulting from accident, alteration, misuse, abuse, fire, flood, acts of God, improper installation, installation not in accordance with electrical or plumbing codes, or use of products not approved by warrantor.
4. Replacement parts or repair labor costs for units operated outside the United States.
5. Repairs to parts or systems resulting from unauthorized modifications made to the appliance.
6. The removal and re installation of your appliance if it is installed in an inaccessible location or is not installed in accordance with published installation instructions.

DISCLAIMER OF IMPLIED WARRANTIES; LIMITATION OF REMEDIES

CUSTOMER'S SOLE AND EXCLUSIVE REMEDY UNDER THIS LIMITED WARRANTY SHALL BE PRODUCT REPAIR AS PROVIDED HEREIN. IMPLIED WARRANTIES, INCLUDING WARRANTIES OF MERCHANTABILITY OR FITNESS FOR A PARTICULAR PURPOSE, ARE LIMITED TO ONE YEAR. WARRANTOR SHALL NOT BE LIABLE FOR INCIDENTAL OR CONSEQUENTIAL DAMAGES. SOME STATES DO NOT ALLOW THE EXCLUSION OR LIMITATION OF INCIDENTAL OR CONSEQUENTIAL DAMAGES, OR LIMITATIONS ON THE DURATION OF IMPLIED WARRANTIES OF MERCHANTABILITY OR FITNESS, SO THESE EXCLUSIONS OR LIMITATIONS MAY NOT APPLY TO YOU. THIS WARRANTY GIVES YOU SPECIFIC LEGAL RIGHTS AND YOU MAY ALSO HAVE OTHER RIGHTS, WHICH VARY FROM STATE TO STATE.

NOTE: The specifications and features of your product are subject to change without notice.

Felix Storch, Inc.
An ISO 9001:2015 registered company
770 Garrison Ave
Bronx, New York 10474
www.summitappliance.com

SUMMIT
COMMERCIAL

For parts and accessory ordering,
troubleshooting and helpful hints, visit:
www.summitappliance.com/support

Machine à Glace Commerciale

Modèles:

BIM85

BIM125

BIM210



Manuel de l'Utilisateur

AVANT D'UTILISER, VEUILLEZ LIRE ET SUIVRE TOUTES LES RÈGLES DE SÉCURITÉ ET LES INSTRUCTIONS D'UTILISATION.

Écrivez les numéros de modèle et de série ici:


Modèle _____

Numéro de série: _____

Felix Storch, Inc.
Une entreprise certifiée ISO 9001:2015
770 Garrison Avenue
Bronx, NY 10474
www.summitappliance.com

Table des Matières

Informations de Sécurité Importantes.....	1
Avertissement et Consignes de Sécurité.....	2
Informations Générales.....	3
Installation	3
Emplacement d'Installation.....	3
Schéma d'Installation.....	4
Étapes d'Installation.....	4
Démarrage et Fonctionnement.....	5
Mode d'Emploi.....	5
Instructions du Panneau de Contrôle.....	6
Entretien.....	7
Fonction de Nettoyage.....	8
Appel de Service.....	9
Dépannage.....	9
Garantie Limitée.....	11

 Remarque: Veuillez conserver ce manuel dans un endroit accessible aux utilisateurs à tout moment.

Ce produit utilise un réfrigérant hydrocarboné respectueux de l'environnement et est entièrement conforme à la réglementation California CARB.

Cependant, la loi californienne nous oblige à fournir la déclaration de divulgation suivante dans chaque produit vendu en Californie.

"Il est interdit d'utiliser cet équipement en Californie avec des réfrigérants figurant sur la 'Liste des substances interdites' pour cette utilisation finale spécifique, conformément au California Code of Regulations, titre 17, section 95374. Cette déclaration de divulgation a été examinée et approuvée par Felix Storch, Inc. et Felix Storch, Inc. atteste, sous peine de parjure, que ces déclarations sont vraies et exactes."

Ce produit n'utilise **aucun** réfrigérant figurant sur la "Liste des substances interdites"



AVERTISSEMENT : Ce produit peut vous exposer à des produits chimiques, y compris le Nickel (Métallique) qui est connu dans l'État de Californie pour provoquer le cancer.

Pour plus d'informations, rendez-vous sur www.P65Warnings.ca.gov

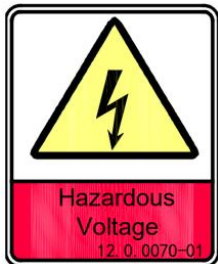
Remarque : Le Nickel est un composant de tout l'acier inoxydable et de certaines autres compositions Métalliques

Informations de Sécurité Importantes

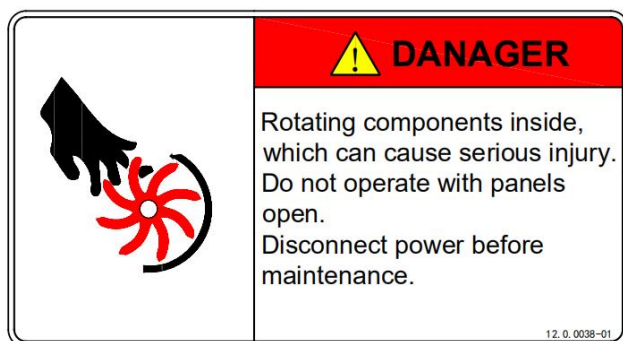
Veillez prêter attention aux étiquettes d'avertissement suivantes sur la machine à glaçons



L'étiquette indique une tension dangereuse. Il existe un risque de décharge électrique.



L'étiquette indique une tension dangereuse. Il existe un risque de décharge électrique.



L'étiquette indique la présence de composants rotatifs à l'intérieur. Il existe un risque de blessures mécaniques graves.



R290

L'étiquette indique qu'un réfrigérant inflammable "R290" est utilisé. Il existe un risque d'incendie. (Remarque: Certains modèles utilisent le réfrigérant R404a, la classe de sécurité de ce réfrigérant est A1, ce qui appartient au niveau le plus élevé, et aucune remarque particulière ne sera faite ultérieurement.)

⊘ Avertissement: L'entrée d'eau de fabrication de glace de la machine à glaçons ne peut être connectée qu'à de l'eau potable, et les eaux souterraines ou autres sources d'eau non potable ne peuvent pas être utilisées.

Instruction des symboles dans ce manuel

- ⚠ Panneau d'alerte : indique l'élément nécessitant une attention particulière.
- ⊘ Panneau d'avertissement : une attention particulière est requise et son utilisation est interdite.

Avertissement et Consignes de Sécurité



Ce produit ne peut pas être utilisé en extérieur.



Ce refroidisseur d'eau n'est pas destiné à être utilisé par des enfants ou des personnes ayant des handicaps physiques, des retards de développement ou des troubles mentaux.

- ✦ L'installation, la réparation ou l'entretien de cette machine à glace doit être effectué par un personnel professionnel et qualifié, sinon un choc électrique, un incendie ou des blessures corporelles peuvent survenir en cas de fonctionnement incorrect.
- ✦ Une fois la machine à glace livrée, veuillez la maintenir en position verticale pendant plus de 24 heures, afin que le lubrifiant soit complètement précipité avant le démarrage, sinon le compresseur pourrait être endommagé.
- ✦ Lorsque le cordon d'alimentation de la machine à glace est endommagé, afin d'éviter un choc électrique, un incendie ou des blessures corporelles, il doit être remplacé par le fabricant ou un personnel professionnel et qualifié.
- ✦ L'ensemble de conduites d'eau dans la boîte à accessoires de la machine à glace doit être utilisé. Afin de garantir la sécurité alimentaire, l'ensemble de conduites d'eau retiré de l'ancienne machine ne doit pas être utilisé.
- ✦ Lors de la manipulation, maintenez l'armoire en position verticale, avec une inclinaison ne dépassant pas 45 degrés. Ne retournez pas la machine et ne la posez pas horizontalement.
- ✦ Cette machine à glace ne doit pas être placée dans une zone humide ou facilement éclaboussée.
- ✦ La mise à la terre de cette machine à glace ne peut pas être raccordée à une conduite de gaz, à une conduite d'eau, à une ligne téléphonique ou à des paratonnerres, etc.
- ✦ Cette machine à glace contient des composants rotatifs. N'insérez pas d'objets fins dans les orifices de ventilation ou d'échappement, car cela pourrait entraîner de graves blessures mécaniques.
- ✦ Ne stockez pas de substances volatiles ou inflammables dans cette machine à glaçons, car cela pourrait provoquer une explosion ou un incendie.
- ✦ Ne stockez pas d'articles divers et ne congelez aucun aliment dans le bac de stockage. Gardez la pelle à glace propre.
- ✦ La machine à glaçons doit être placée sur le sol suffisamment pour supporter son poids. Une base insuffisante peut faire tomber l'équipement et provoquer des blessures.
- ✦ Il doit y avoir suffisamment d'espace de ventilation autour de la machine à glaçons. Maintenez une bonne ventilation.
- ✦ Seule l'alimentation électrique spécifiée sur la plaque signalétique de la machine peut être utilisée avec cette machine à glaçons.
- ✦ Cette machine à glaçons ne peut pas être raccordée à l'eau chaude.
- ✦ La prise de cette machine à glaçons doit être mise à la terre de manière fiable et dotée d'une protection contre les fuites.
- ✦ La machine à glaçons doit être débranchée de l'alimentation avant le nettoyage, la réparation et l'entretien manuels.
- ✦ Avant le nettoyage, la réparation et l'entretien, la glace restante dans le bac à glaçons doit être retirée de la machine à glaçons pour éviter toute contamination de la glace.
- ✦ Ne pas projeter d'eau directement sur la surface de la machine à glace pendant le processus de nettoyage, car cela pourrait provoquer un court-circuit, une fuite ou d'autres défauts.
- ✦ Un agent moussant inflammable est utilisé pendant le processus de moussage. La machine à glace doit être éliminée et recyclée par du personnel et des institutions qualifiés.
- ✦ La machine à glace doit être correctement gérée pour garantir que les enfants ne jouent pas avec la machine.

En cas de dysfonctionnement de la machine à glace, coupez l'alimentation et contactez un personnel professionnel pour la réparation.



R290

Pour la machine à glaçons avec réfrigérant inflammable R290:

- DANGER – RISQUE D'INCENDIE OU D'EXPLOSION. RÉFRIGÉRANT INFLAMMABLE UTILISÉ. IL DOIT Y AVOIR SUFFISAMMENT D'ESPACE DE VENTILATION AUTOUR DE LA MACHINE À GLAÇONS POUR MAINTENIR LA VENTILATION FLUIDE.
- DANGER – RISQUE D'INCENDIE OU D'EXPLOSION. RÉFRIGÉRANT INFLAMMABLE UTILISÉ. N'UTILISEZ PAS D'APPAREILS MÉCANIQUES POUR DÉGIVRER LE RÉFRIGÉRATEUR. NE PERCEZ PAS LES TUYAUX DE RÉFRIGÉRANT.
- DANGER – RISQUE D'INCENDIE OU D'EXPLOSION. RÉFRIGÉRANT INFLAMMABLE UTILISÉ. À RÉPARER UNIQUEMENT PAR DU PERSONNEL DE SERVICE QUALIFIÉ. NE PERCEZ PAS LES TUYAUX DE RÉFRIGÉRANT.
- DANGER – RISQUE D'INCENDIE OU D'EXPLOSION. RÉFRIGÉRANT INFLAMMABLE UTILISÉ. N'UTILISEZ AUCUN APPAREIL ÉLECTRIQUE DANS LE RÉSERVOIR DE STOCKAGE DE GLACE DE LA MACHINE À GLACE.
- ATTENTION – RISQUE D'INCENDIE OU D'EXPLOSION. RÉFRIGÉRANT INFLAMMABLE UTILISÉ. CONSULTEZ LE MANUEL DE RÉPARATION/GUIDE DU PROPRIÉTAIRE AVANT DE TENTER D'ENTRETIEN DE CE PRODUIT. TOUTES LES PRÉCAUTIONS DE SÉCURITÉ DOIVENT ÊTRE RESPECTÉES.
- ATTENTION – RISQUE D'INCENDIE OU D'EXPLOSION. ÉLIMINER CONFORMÉMENT AUX RÉGLEMENTATIONS FÉDÉRALES OU LOCALES. RÉFRIGÉRANT INFLAMMABLE UTILISÉ.
- ATTENTION – RISQUE D'INCENDIE OU D'EXPLOSION EN RAISON DE LA PERFORATION DU TUYAU DE RÉFRIGÉRANT ; SUIVEZ ATTENTIVEMENT LES INSTRUCTIONS DE MANIPULATION. RÉFRIGÉRANT INFLAMMABLE UTILISÉ.

Informations Générales

La machine à glace est entièrement automatique. Avec une installation et un raccordement appropriés à une source d'eau potable et à une alimentation électrique, le processus de fabrication de glace démarrera comme prévu. Lorsque les glaçons remplissent le bac de stockage, la machine s'arrête automatiquement. La machine à glace est généralement utilisée dans les situations suivantes et dans des occasions similaires:

- La cuisine d'un magasin, d'un bureau ou d'un autre lieu de travail
- Une ferme, un hôtel, un hôtel-car et un restaurant
- La restauration et d'autres occasions similaires non liées à la vente au détail
- Cette machine à glace n'est pas destinée à être utilisée à la maison

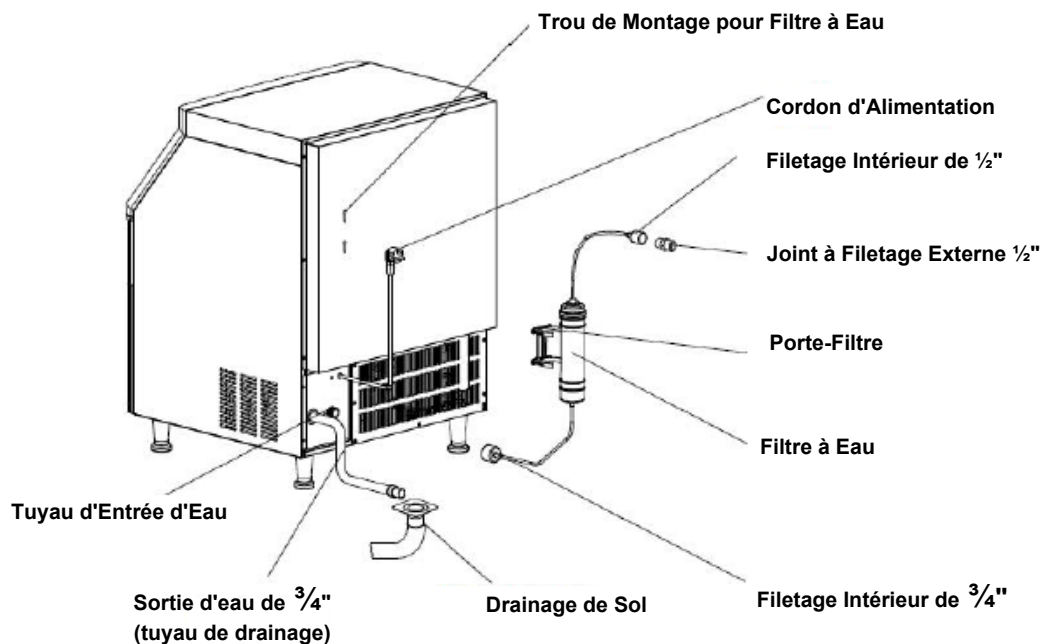
Installation

Emplacement d'Installation

La machine à glace doit être installée dans un endroit approprié répondant aux conditions suivantes:

- Intérieur : Pas plus de 2,000 mètres au-dessus du niveau de la mer
- Température ambiante : 41-104 °F (5-40 °C)
- Alimentation électrique : La tension nominale indiquée sur la plaque signalétique de la machine ± 6 %
- Source d'eau : Eau potable, avec une pression d'eau de 0.13 MPa à 0.55 MPa
- Température de l'eau : 41-95 °F (5-35 °C)
- La machine à glace doit être tenue à l'écart des sources de chaleur et il doit être strictement interdit de l'utiliser dans un environnement à température extrêmement élevée ou basse, et doit éviter la lumière directe du soleil.
- Il doit y avoir suffisamment d'espace de ventilation autour de la machine à glace et maintenir une bonne ventilation
- La machine à glace doit être placée sur un sol suffisamment grand pour supporter son poids
- La prise de la machine à glace doit être mise à la terre de manière fiable et dotée d'une protection contre les fuites
- Un drainage du sol approprié doit être prévu à proximité du lieu d'installation de la machine à glace

Schéma d'Installation



Étapes d'Installation

1. Vérifiez que la machine à glaçons est en bon état et que tous les accessoires sont complets. Vérifiez le modèle de la machine et examinez la plaqué signalétique.
2. Ouvrez la porte du bac et retirez le ruban d'emballage du capteur d'épaisseur de glace et du rabat. Ce ruban est uniquement destiné à éviter tout dommage pendant le transport.
3. Nettoyez le bac à glaçons et la zone de stockage des aliments à l'intérieur à l'aide d'une éponge imbibée d'eau tiède et de bicarbonate de soude. Rincez abondamment à l'eau potable et séchez les surfaces.
4. Placez la machine à glaçons dans la zone de fonctionnement désignée, en vous assurant qu'elle se trouve sur un sol plat. Cela permet d'assurer un bon débit d'eau sur l'évaporateur.
5. La chambre du compresseur est située sous l'avant du bac à glaçons, abritant à la fois le compresseur et le condenseur. Assurez-vous qu'il y a une ventilation adéquate en laissant au moins 20 à 30 cm (8 à 12 pouces) d'espace devant et derrière la machine à glaçons.
6. Le bas de la machine à glaçons est doté de pieds réglables pour la mise à niveau et pour faciliter le nettoyage du sol en dessous.

7. Raccordez le filtre à eau d'entrée et le tuyau d'eau de la machine conformément au schéma d'installation. Si le site d'installation dispose déjà d'un système d'eau potable, le filtre à eau peut ne pas être nécessaire.
8. Utilisez le tuyau d'entrée de 3/4" fourni pour raccorder la machine à l'alimentation en eau. Il est recommandé d'installer une vanne d'eau (non fournie avec cette machine) sur la conduite d'alimentation en eau.
9. Fixez le tuyau de vidange au raccord de vidange. Pour un drainage efficace, assurez-vous que le tuyau de vidange a une pente de plus de 3 cm par mètre et vérifiez qu'il n'est pas obstrué. Il est préférable de raccorder le tuyau de vidange à un orifice de drainage ouvert.
10. Assurez-vous qu'aucun point de la conduite de drainage n'est plus haut que la sortie de drainage de la machine ou tout point précédent.
11. Vérifiez les exigences d'alimentation sur la plaqué signalétique de la machine pour vous assurer que l'alimentation électrique répond à ces spécifications.
12. Un disjoncteur ou un interrupteur avec un protecteur de fuite et une mise à la terre fiable est nécessaire.
13. Éteignez l'interrupteur sur la ligne électrique et connectez la machine à la source d'alimentation.

⚠ Remarque: Le sens d'écoulement du filtre doit être correctement installé conformément au marqueur de direction sur le couvercle de la tête du filtre ou sur le corps du filtre.

⚠ Remarque: Cette machine est équipée d'un filtre à eau d'entrée. Le filtre accumule les impuretés de l'eau pendant le fonctionnement de la machine. En général, il doit être remplacé tous les mois ou tous les 3 mois.

Démarrage et Fonctionnement

1. Avant de démarrer la machine, vérifiez les points suivants:

- Que le ruban d'emballage à l'intérieur de la machine à glaçons a été retiré.
- Les accessoires ou éléments du bac à glaçons ont été retirés.
- La machine à glaçons a été mise à niveau
- Le tuyau d'eau a été raccordé et le robinet d'eau est ouvert.
- La fiche a été branchée à l'alimentation électrique et l'interrupteur d'alimentation est éteint
- La température ambiante, la température de l'eau et la pression de l'alimentation en eau répondent aux exigences ci-dessus.


2. **Démarrage:** Une fois l'alimentation électrique et la source d'eau correctement raccordées, activez le bouton (interrupteur) du panneau pour passer en mode de fonctionnement normal. Le système fonctionne automatiquement sans nécessiter de personnel de service.

3. Pour un fonctionnement normal, veuillez confirmer:


- ✓ Il y a de l'eau dans le bac à eau et aucun débordement ne se produit.
- ✓ La pompe fonctionne correctement et l'eau s'écoule uniformément sur l'évaporateur.
- ✓ Le compresseur fonctionne normalement, la température de l'évaporateur et de l'eau de fabrication de glace diminue progressivement.
- ✓ Le ventilateur fonctionne normalement et il y a un flux d'air stable dans l'entrée et la sortie de la machine à glace.
- ✓ La machine à glace n'a pas de bruit anormal.
- ✓ La machine à glace n'a pas de vibration anormale.
- ✓ Il faut environ 10 à 20 minutes pour fabriquer un lot de glace, selon la température ambiante et la température de l'eau. Plus la température est élevée, plus la fabrication de glace prendra du temps.
- ✓ Les glaçons peuvent être correctement décongelés de la machine.

Mode d'Emploi

- **Démarrage:** Une fois l'installation terminée, raccordez l'alimentation en eau et mettez l'appareil sous tension. La machine commencera à fonctionner. Veuillez vérifier que la machine fonctionne normalement lors de sa première utilisation.
- **Auto-vérification:** lors de la première mise sous tension, la machine à glaçons effectue une auto-vérification et pompe toute l'eau restante.
- **Préparation:** Une fois la machine à glaçons sous tension, la vanne d'admission s'ouvre, permettant à l'eau de s'écouler jusqu'à ce qu'elle atteigne le niveau défini. La machine à glaçons effectue alors un cycle de dégivrage.
- **Fabrication de glace:** Après un pré-refroidissement de 30 secondes, la pompe à eau démarre, l'eau s'écoule à travers l'évaporateur de manière fluide et régulière. Les glaçons se formeront progressivement dans le bac à glaçons.

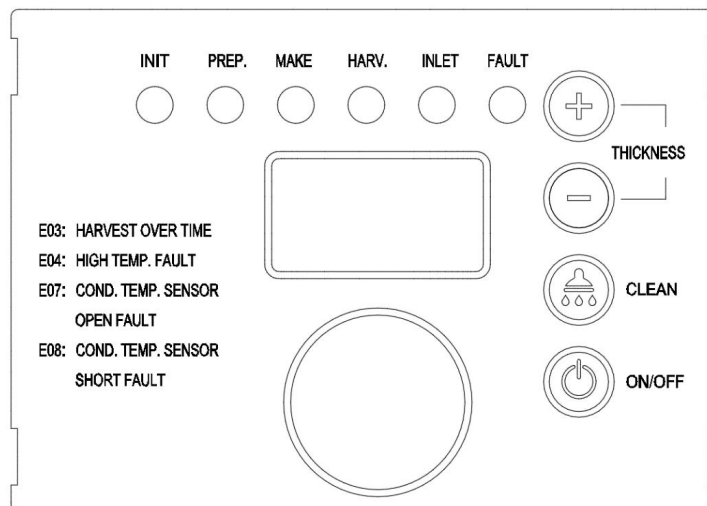
 **Remarque: Veuillez couper l'alimentation en cas d'orage ou si le système n'est pas utilisé pendant une période prolongée.**

- **Récolte de Glace:** lorsque la machine atteint le temps de fabrication de glace prévu, la pompe s'arrête et la vanne antigel s'ouvre, permettant à l'air chaud de pénétrer dans l'évaporateur. Après environ 2 minutes, la glace tombera complètement de l'évaporateur dans le bac à glaçons. Pour éviter toute blessure, ne placez pas vos mains dans le bac à glaçons pendant le processus de chute de la glace.

 **Avertissement: Ne mettez pas votre main dans le bac à glaçons pendant le processus de chute de la glace pour éviter que la glace ne frappe votre main.**

- **Arrêt:** pendant le fonctionnement, appuyez sur le bouton (interrupteur) du panneau pour arrêter la machine.
- **Arrêt Bac Plein:** La machine s'arrête automatiquement lorsque le bac à glaçons est plein. Au fur et à mesure que la glace s'accumule dans le bac, elle atteint une hauteur qui empêche la chute de glace supplémentaire. Finalement, le bac plein empêche la planche coulissante de rebondir et de se réinitialiser. Une fois que la machine détecte cette condition pendant quelques instants (environ 30 secondes) et confirme que le bac à glaçons est plein, elle s'arrête automatiquement.
- **Répéter la Fabrication de Glace:** La machine reprend son fonctionnement une fois l'excès de glace retiré, permettant à la planche coulissante de rebondir et de se réinitialiser en quelques secondes.

Instructions du Panneau de Contrôle



1. Affichage LED:

- Auto-Vérification: Affichage du code "INI"
- Préparation: Compte en secondes.
- Fabrication de glace : Le compte à rebours s'effectue en secondes jusqu'à ce que l'eau atteigne 0 °C (32 °F). Une fois que la température de l'eau atteint 0 °C (32 °F), l'évaporateur commence à geler et l'affichage numérique commence le compte à rebours. Lorsque le compte à rebours atteint 0, le cycle de fabrication de glace se termine.
- Récolte de Glace: Compte en secondes.
- Nettoyage: Affiche "CLE" pendant le nettoyage et la stérilisation; Affiche "RIN" pendant le rinçage.

2. Lampes LED: S'allument pendant le processus correspondant.

3. Ajustement de l'épaisseur des Glaçons:

Pendant le processus de fabrication de glace, si vous n'êtes pas satisfait de l'épaisseur des glaçons, maintenez le bouton "-" enfoncé pendant 3 secondes. Ensuite, utilisez les boutons "+" ou "-" sur le panneau pour ajuster l'épaisseur des glaçons.

⚠ Remarque: En cliquant une fois sur le bouton "+" ou "-", le temps de fabrication de glace est prolongé ou réduit de 1.5 minute.

4. Nettoyage: Maintenez le bouton de nettoyage enfoncé pendant 3 secondes pour commencer le nettoyage. Ajoutez des agents nettoyants dans le bac à eau. Une fois terminé, la machine reprendra la fabrication de glace.

5. Interrupteur: Cliquez sur le bouton "Interrupteur" pour éteindre ou allumer l'appareil.

6. Fonction Vocale (peut varier selon le modèle) : La machine émet des annonces vocales pour les opérations.

7. Manipulation de la Porte: Ouvrez et fermez la porte du bac de manière douce ; ne la claquer pas. Assurez-vous qu'elle est fermée après avoir pris des glaçons.

8. Utilisation à Long Terme: Si la machine n'est pas utilisée pendant une longue période, laissez-la fonctionner pendant 2 à 4 heures tous les deux mois.

Autres protections spéciales - Arrêt

- Si la machine à glace n'a pas détecté de glaçons tombant après trois cycles, elle s'arrêtera pour des raisons de sécurité. Il faut vérifier la machine à glace.
- La machine détecte que la température ambiante est trop élevée et s'arrêtera pour des raisons de sécurité.
- Si la machine à glace à refroidissement par eau détecte une anomalie dans l'approvisionnement en eau, elle s'arrêtera pour des raisons de sécurité.
- Le code de panne et ses commentaires s'affichent comme suit:

Code	Commentaires	Action de la Machine
E01	Plateau coulissant en panne	Arrêt de protection
E03	Temps de fabrication de glace excessif	Arrêt de protection
E04	Haute température	Arrêt de protection
E05	Pénurie d'Eau	Arrêt de protection
E06	Haute Pression	Arrêt de protection
E07	Circuit ouvert du capteur de condensation	Ne s'arrête pas Voyant d'erreur clignote toutes les 5 secondes
E08	Court-circuit du capteur de condensation	Ne s'arrête pas Voyant d'erreur clignote toutes les 5 secondes

Entretien

⚠ Remarque: La maintenance doit être effectuée par un professionnel qualifié.

⊘ Avertissement: Avant toute maintenance ou nettoyage manuel, assurez-vous de couper l'alimentation en eau et l'alimentation électrique.

Nettoyage Extérieur

• Nettoyez fréquemment l'environnement autour de la machine à glace pour le garder propre. Ne bloquez pas les événements.

• L'enveloppe extérieure doit être nettoyée avec un détergent doux, puis essuyée. Si nécessaire, utilisez des nettoyeurs et des polisseurs pour acier inoxydable commercial.

⚠ Remarque: L'acier inoxydable peut rouiller sans un entretien adéquat.

Filtre à Eau d'Entrée

• L'élément filtrant doit être inspecté régulièrement. Il est recommandé de le remplacer tous les mois à trois mois.

Nettoyage Intérieur

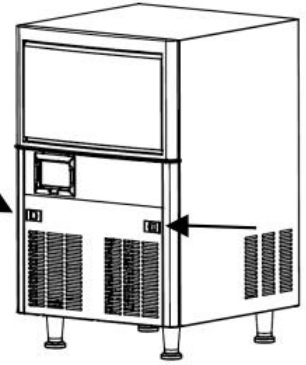
• L'intérieur du bac de stockage de glace peut être lavé directement avec des tuyaux d'eau.

⚠ Remarque: Vérifiez que la pression d'eau est inférieure à la pression maximale autorisée. Ne rincez pas la partie au-dessus de la pompe à eau ou de l'évaporateur directement pour éviter des dommages.

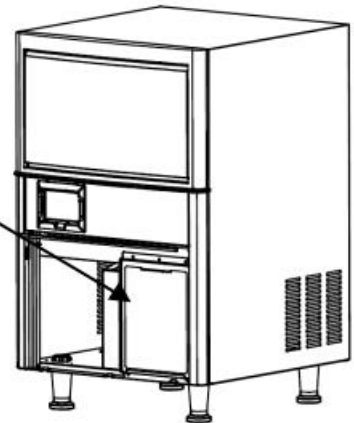
Condenseur

- Pour la machine à glace à refroidissement par air, le condenseur doit être nettoyé toutes les trois semaines. Utilisez une brosse douce ou un aspirateur avec une brosse pour le nettoyer dans le sens des ailettes afin d'éviter d'endommager celles-ci et de nuire à l'effet de refroidissement.
- Le filtre du condenseur doit être nettoyé toutes les 2 semaines.

Appuyez sur les languettes du couvercle avant vers l'intérieur et tirez-le vers vous pour le retirer.



Pincez la languette de l'écran de filtre et tirez pour retirer le filtre afin de le nettoyer ou de le remplacer.



⚠ Remarque : Soyez prudent lors du nettoyage du condenseur, car les bords des ailettes sont tranchants.

Tuyau d'Eau

• Pour garantir la sécurité alimentaire, le tuyau d'eau de la machine à glace doit être nettoyé régulièrement.

Hivernage

• Coupez l'alimentation en eau et l'alimentation électrique, puis videz l'eau résiduelle du bac à eau, du tuyau d'entrée et du tuyau de drainage.

⚠ La maintenance de la machine à glace n'est pas couverte par la garantie du fabricant.

Fonction de Nettoyage

⚠ Remarque: Veuillez vider le bac à glaçons à l'avance.

⚠ Remarque: Veuillez nettoyer et stériliser le bac et effectuer un rinçage complet.

⚠ Remarque: Veuillez nettoyer et stériliser la planche à glaçons, le tuyau de distribution d'eau, le tuyau d'alimentation en eau, puis effectuer un rinçage complet.

- Allumez la machine à glaçons: Appuyez sur le bouton "Clean" et maintenez-le enfoncé pendant 3 secondes. La machine à glaçons commencera le processus de nettoyage. Attendez que l'eau ait terminé son cycle, après quoi l'écran LED clignotera "Clean". Ensuite, videz l'eau du bac à eau.
- Ajoutez manuellement la quantité appropriée de solution de nettoyage comme indiqué dans le processus de nettoyage et de stérilisation. Appuyez à nouveau sur le bouton "Clean" et la machine à glaçons nettoiera automatiquement pendant environ 15 minutes. Pendant ce temps, nettoyez l'évaporateur par pulvérisation pour assurer un nettoyage complet. Une fois le processus terminé, l'affichage LED clignotera à nouveau sur "Clean"
- Videz l'eau du bac à eau.
- Ajoutez manuellement la quantité appropriée de solution stérilisante conformément aux instructions du processus de nettoyage et de stérilisation. Appuyez à nouveau sur le bouton "Nettoyer" et la machine à glaçons stérilisera automatiquement pendant environ 15 minutes. Pendant ce temps, vaporisez l'évaporateur avec la solution stérilisante pour assurer une couverture complète. Une fois terminé, la machine à glaçons entrera dans le processus de rinçage, qui prendra environ 25 minutes.
- La machine à glaçons reprendra la production de glace immédiatement après la fin du processus de nettoyage.
- Jetez les 5 prochains lots de glace pour vous assurer que tout nettoyant restant est éliminé.

Appel de Service:

Si le refroidisseur d'eau rencontre un problème, veuillez vérifier les éléments suivants avant de contacter le support:

1. Confirmez si l'approvisionnement en eau est normal.
 - ✓ Vérifiez la présence d'eau dans le bac à eau.
 - ✓ Assurez-vous que la pression de l'eau est comprise entre 0.13 et 0.55 MPa et que la température est entre 41 et 95 °F (5 à 35 °C).
 - ✓ Assurez-vous que la vanne d'eau est ouverte.
 - ✓ Vérifiez qu'il n'y a pas de fuites.
2. Vérifiez si l'alimentation est allumée.
 - ✓ Vérifiez si l'indicateur est allumé.
 - ✓ Vérifiez si l'affichage n'est pas en mode OFF.
 - ✓ Si la LED est éteinte, vérifiez la prise, la prise de courant et l'interrupteur d'alimentation.
3. Vérifiez la plaque signalétique et le numéro de série.
 - ✓ Vérifiez la plaque signalétique située sur le côté ou à l'arrière de la machine à glace et notez le modèle et le numéro de série.

Dépannage

Problème	Cause Potentielle	Dépannage
Non opérationnel L'indicateur est éteint	Interrupteur d'alimentation non allumé La prise est mal branchée	Allumez l'interrupteur d'alimentation Vérifiez la prise et la prise de courant
S'éteint toutes les 3 minutes Affiche E04 (haute température) Affiche E06 (protection contre la haute pression)	La température ambiante est trop élevée Le condenseur est sale ou obstrué Les fils de l'interrupteur de haute pression sont déconnectés Le ventilateur ne démarre pas	Réglez la température entre 41 et 104 °F (5 à 40 °C) Nettoyez le condenseur Reconnectez les fils de l'interrupteur de haute pression Vérifiez et réparez le ventilateur
Dégivrage anormal de la glace	Température ambiante trop basse Vanne de dégivrage défectueuse Épaisseur de la glace incorrecte	Plage de température normale: 41 à 104 °F (5 à 40 °C) Vérifiez la vanne de dégivrage Corrigez le réglage de l'épaisseur de la glace
Mauvaise transparence des glaçons Glaçons trop fins ou incomplets	Épaisseur de glace trop fine Pression d'eau basse Température d'eau élevée Vanne d'entrée défectueuse Vanne d'entrée obstruée Fuite d'eau Filtre à eau non remplacé	Vérifiez l'épaisseur de la glace Assurez la pression d'eau (0.13 à 0.55 MPa) Vérifiez la température de l'eau (41 à 95 °F) Vérifiez la vanne d'entrée Corrigez les fuites d'eau Remplacez le filtre à eau d'entrée
Production de glace lente	Condenseur ou filtre à air sale Haute température ambiante Mauvaise ventilation Température de l'eau trop élevée	Nettoyez le condenseur et le filtre Température normale : 41 à 104 °F (5 à 40 °C) Vérifiez l'environnement de la machine Température de l'eau : 41 à 95 °F (5 - 35°C)
Bruit excessif	La machine à glace n'est pas sur une surface nivelée, ou le fabricant de glace n'est pas correctement nivelé.	Nivelez la machine à glace.

Si vous avez vérifié les informations ci-dessus et que vous avez encore besoin d'aide pour votre appareil, appelez notre service client au **800-932-4267** (poste **513**) entre 9h00 et 17h00, heure de l'Est, ou visitez notre site web à l'adresse **summitappliance.com/support** à tout moment. Nous ferons de notre mieux pour répondre à vos questions.

REMARQUES

GARANTIE LIMITÉE

GARANTIE LIMITÉE D'UN AN

Dans les 48 États contigus des États-Unis, pendant un an à partir de la date d'achat, lorsque cet appareil est utilisé et entretenu conformément aux instructions fournies avec le produit, le garant paiera pour les pièces spécifiées par le fabricant et la main-d'œuvre de réparation afin de corriger les défauts de matériaux ou de fabrication. Le service doit être assuré par une société de service désignée. En dehors des 48 États, toutes les pièces sont garanties contre les défauts de fabrication pendant un an. Les pièces en plastique, les étagères et les armoires sont garanties d'être fabriquées selon des normes commercialement acceptables, mais ne sont pas couvertes contre les dommages lors de la manipulation ou les ruptures.

GARANTIE DE 5 ANS SUR LE COMPRESSEUR

1. Le compresseur est couvert pendant 5 ans.
2. Le remplacement ne comprend pas la main-d'œuvre.

ARTICLES QUE LE GARANT NE PAIE PAS:

1. Appels de service pour corriger l'installation de votre appareil, vous instruire sur son utilisation, remplacer ou réparer des fusibles, ou corriger le câblage ou la plomberie.
2. Appels de service pour réparer ou remplacer les ampoules de l'appareil ou les étagères cassées. Les pièces consommables (comme les filtres) ne sont pas couvertes par la garantie.
3. Dommages résultant d'accidents, d'altérations, de mauvais usage, de maltraitance, d'incendies, d'inondations, d'événements imprévus, d'une installation incorrecte, d'une installation non conforme aux normes électriques ou de plomberie, ou de l'utilisation de produits non approuvés par le garant.
4. Coûts de pièces de rechange ou de main-d'œuvre pour les unités utilisées en dehors des États-Unis.
5. Réparations de pièces ou de systèmes résultant de modifications non autorisées apportées à l'appareil.
6. Le retrait et la réinstallation de votre appareil s'il est installé dans un endroit inaccessible ou s'il n'est pas installé conformément aux instructions d'installation publiées

EXCLUSION DES GARANTIES IMPLICITES ; LIMITATION DES RECOURS

LE SEUL ET EXCLUSIF RECOURS DU CLIENT EN VERTU DE CETTE GARANTIE LIMITÉE SERA LA RÉPARATION DU PRODUIT COMME PRÉVU CI-DESSUS. LES GARANTIES IMPLICITES, Y COMPRIS LES GARANTIES DE QUALITÉ MARCHANDE OU D'ADAPTATION À UN USAGE PARTICULIER, SONT LIMITÉES À UN AN. LE GARANT NE SAURAIT ÊTRE TENU RESPONSABLE DES DOMMAGES ACCESSOIRES OU INDIRECTS. CERTAINS ÉTATS NE PERMETTENT PAS L'EXCLUSION OU LA LIMITATION DES DOMMAGES ACCESSOIRES OU INDIRECTS, NI DES LIMITATIONS SUR LA DURÉE DES GARANTIES IMPLICITES DE QUALITÉ MARCHANDE OU D'ADAPTATION, DONC CES EXCLUSIONS OU LIMITATIONS PEUVENT NE PAS VOUS CONCERNER. CETTE GARANTIE VOUS ACCORDE DES DROITS JURIDIQUES SPÉCIFIQUES ET VOUS POUVEZ ÉGALEMENT AVOIR D'AUTRES DROITS, QUI VARIENT D'UN ÉTAT À L'AUTRE.

REMARQUE: Les spécifications et caractéristiques de votre produit peuvent être modifiées sans préavis.

Felix Storch, Inc.
Une entreprise certifiée ISO 9001:2015
770 Garrison Avenue
Bronx, NY 10474
www.summitappliance.com

SUMMIT
COMMERCIAL

Pour commander des pièces et des accessoires, des conseils de dépannage et des astuces utiles, visitez:
www.summitappliance.com/support