



FULLY INTEGRATED BUILT-IN  
REFRIGERATOR - FREEZER

MODELS:

**FFBF11NT**

**DBINTRF11**

Installation Manual

Write Model and Serial Numbers here:

Model \_\_\_\_\_

Serial No. \_\_\_\_\_

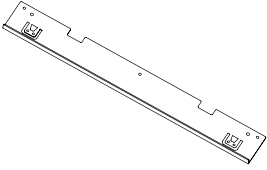
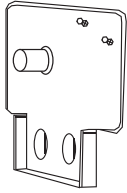
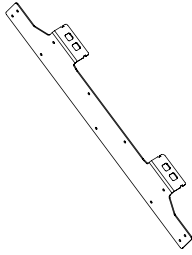
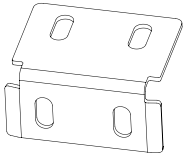


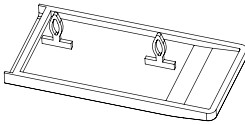
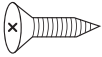

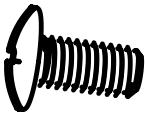

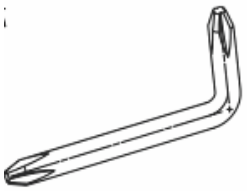
**Felix Storch, Inc.**  
An ISO 9001:2015 registered company  
770 Garrison Ave  
Bronx, New York 10474  
[www.summitappliance.com](http://www.summitappliance.com)

## **Installation**

Before Installing Refrigerator	1
Tips on First Time Use	1
Positioning the Refrigerator	2
Power Supply	2
Part List	2
Cabinet and Unit Dimensions	3
Custom Panel & Cabinet Ventilation Requirements	4
Preparing the Unit for Installation	5
Installing the Refrigerator	6
Custom Panel Installation	7-8
Adjusting the Custom Panel	9

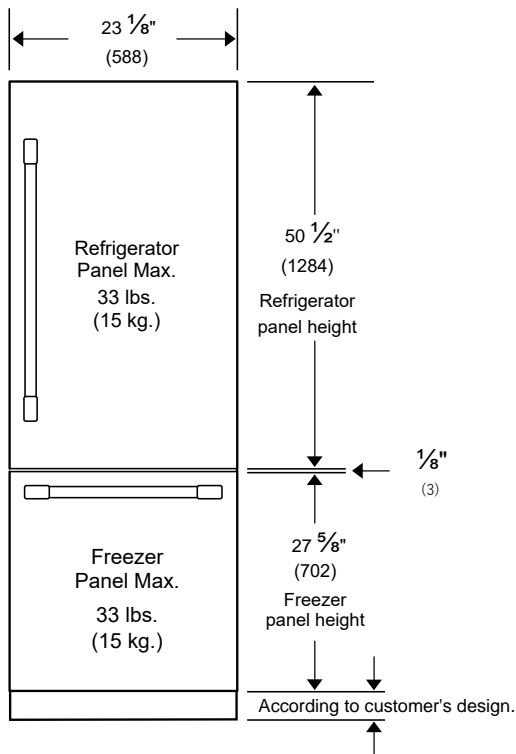
# Installation

## Part List

1. Front Top Plate	2. Fixed Hinge Plate	3. Mounting Plate	4. Bottom Fixed Plate
 <p>1 Pc</p>	 <p>4 Pcs</p>	 <p>2 Pcs pre-installed</p>	 <p>4 Pcs</p>
5. Sealing Strip	6. Screw Cap	7. Cover Plate	8. Countersunk Head Screw
 <p>1 Pc</p>	 <p>2 Pcs</p>	 <p>1 Pc</p>	 <p>A 30 Pcs</p>
9. Pan Head Screw	10. M6 Screw	11. M6 Cap Screw	12. L-Type Screwdriver
 <p>B 6 Pcs</p>	 <p>C 10 Pcs (8 Pcs pre-installed)</p>	 <p>D 10 pcs (8 Pcs pre-installed)</p>	 <p>1 Pc</p>

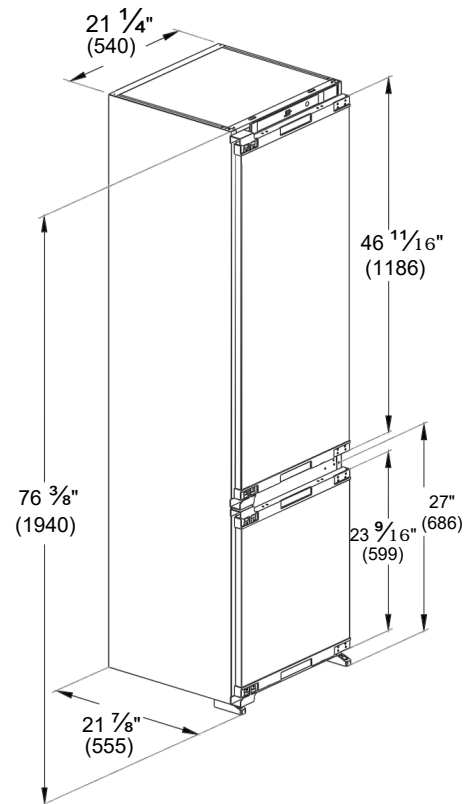
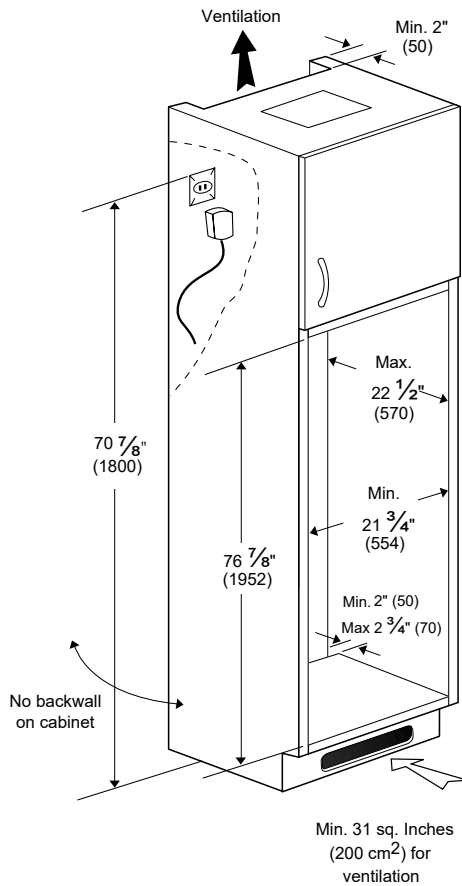
# Installation

## Cabinet and Unit Dimensions

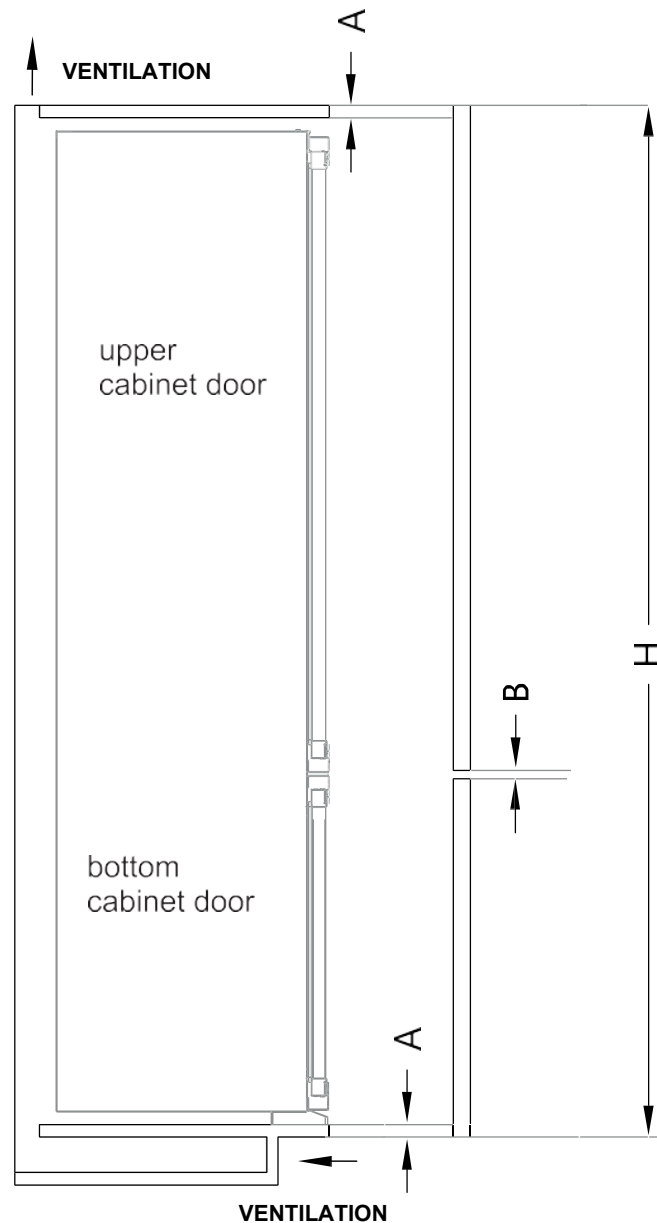


Recommended Panel Dimensions	
Freezer	23 1/8" x 27 5/8" <b>(588 x 702)</b>
Refrigerator	23 1/8" x 50 1/2" <b>(588 x 1284)</b>
Thickness	3/4" <b>(19 mm)</b>
Panel Weight (Max.)	
	33 lbs. 15 kg.

Cabinet Opening Dimensions		Product Dimensions	
Net Empty Width	21 3/4" ± 1/16" <b>554 mm</b>	Width	21 1/4" <b>540 mm</b>
Net Empty Depth	22 1/2" > (Recommended 23 5/8") <b>570 mm</b>	Depth	21 7/8" <b>555 mm</b>
Net Empty Height	76 7/8" ± 1/8" <b>1952 mm</b>	Height	76 3/8" <b>1942 mm</b>



## Custom Panel & Cabinet Ventilation Requirements



**A:**  $\frac{3}{4}$ " (19mm) - Thickness of the cabinet top and bottom

**B:**  $\frac{1}{8}$ " (3mm) - The typical gap between the upper and lower cabinet doors

**H:**  $78 \frac{3}{8}$ " (1990mm) - Cabinet height

## Preparing the Unit for Installation

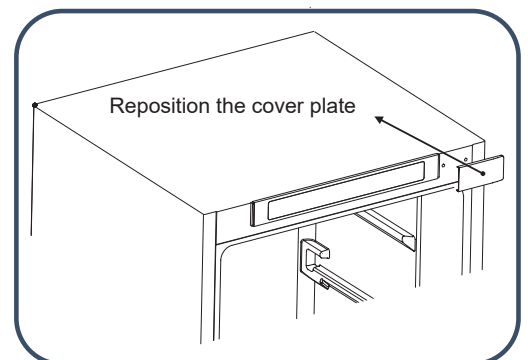
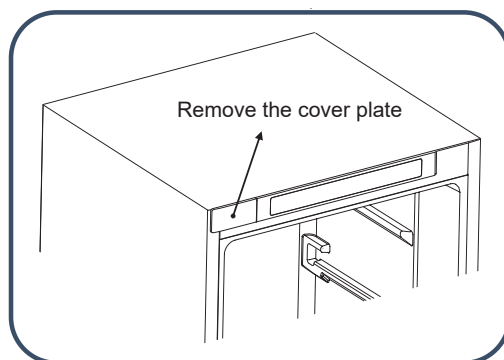
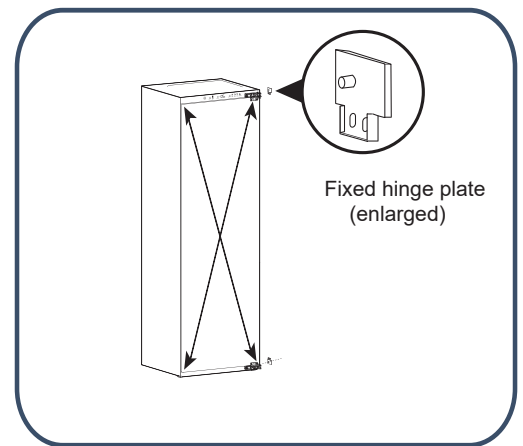
**Note:** Reversing the door swing is possible when the cabinetry is designed with a left swing option.

### Reversing the Door Swing

By default, the door swings open from the left. Install the upper and lower hinges on the left side of the door frame to reverse its swing:

1. Remove the **screw caps** on the front inside of the unit, set them aside.
2. Unscrew both compartment doors from their top and bottom hinges.
3. Detach the top and bottom hinges and the **fixed hinge plate** from the unit.
4. Reposition the hinges and **fixed hinge plates** to the diagonal corners of the opposite side of the unit (upper hinge becomes lower and vice versa).
5. Repeat steps 3 and 4 for the other compartment.
6. Reattach the door to the hinges.
7. Reinsert **screw caps** on the opposite sides of the unit.
8. Reposition the **cover plate** on the opposite side of the control panel.

#### Cross hinge placement

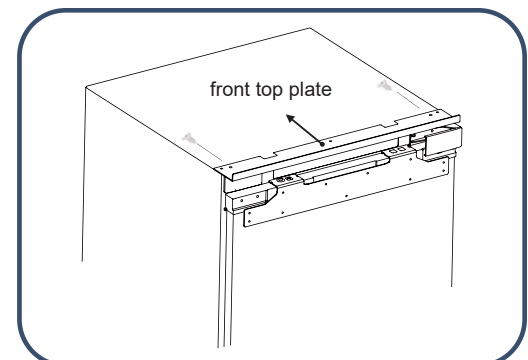


### Install the Front Top Plate

Attach the front top plate to the refrigerator using the existing screws located at the top of the unit.

### Adjust the Height

Rotate the feet and adjust them until the refrigerator is aligned with the cabinet.



## Installing the Refrigerator

### Prepare the Power Cord

- Pull the power cord through the hole located at the back of the cabinet.
- If the power socket is inside the cabinet, plug the power plug into the socket.
- Do not pinch the power cord. A damaged power cord can pose a fire.



Caution

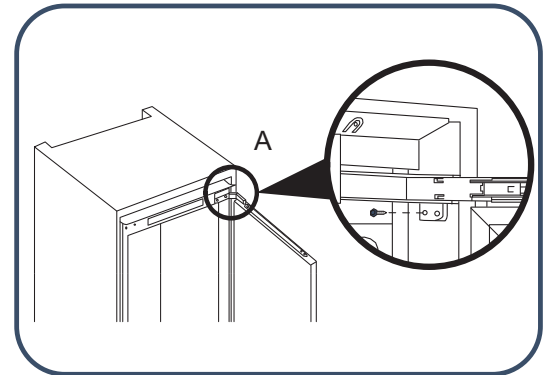
### Position the Refrigerator

- Pull the power cord through the hole located at the back of the cabinet.
- If the power socket is inside the cabinet, plug the power plug into the socket.

### Attach the Fixed Hinge Plates

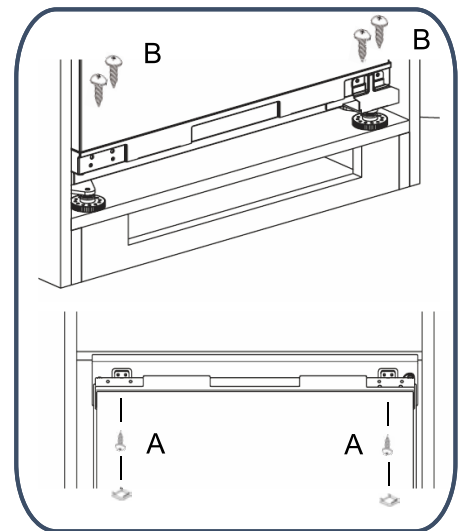
1. Slide the unit into the cabinet leaving the hinges exposed.
2. Attach the **fixed hinge plates** to the top and bottom hinges of the refrigerator and freezer compartments.
3. Push the unit into the cabinet till the face of the unit's door is flush with the cabinet wall.
4. Open the compartment door and use **one countersunk head screw (A)** to hold each **fixed hinge plate** in place.

**NOTE:** Secure the **fixed hinge plates** after successfully installing the wood panel to the unit's doors.



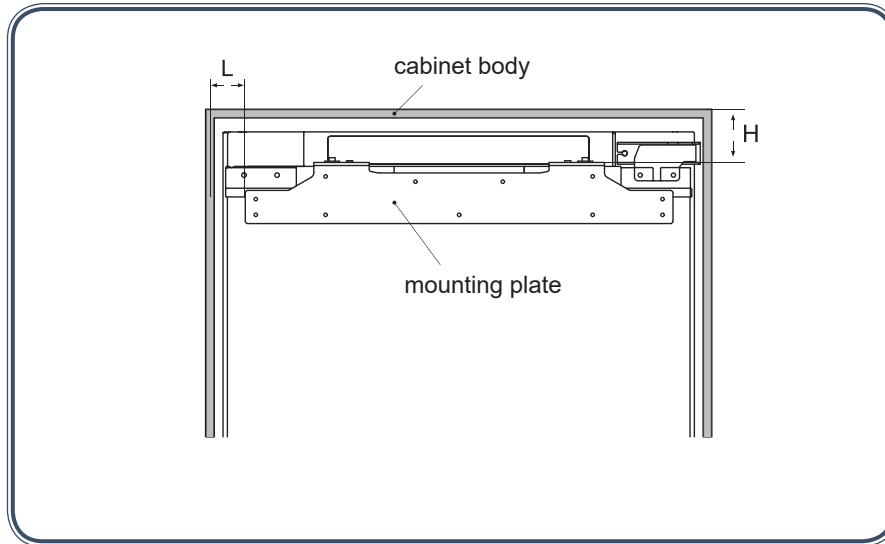
### Align and Secure the Refrigerator

- Secure feet to the bottom of the cabinet with the **pan head screws (B)**.
- Secure the **front top plate** of the refrigerator to the cabinet's top interior with the **countersunk head screws (A)**.
- Cover the screws with screw caps for a finished look.

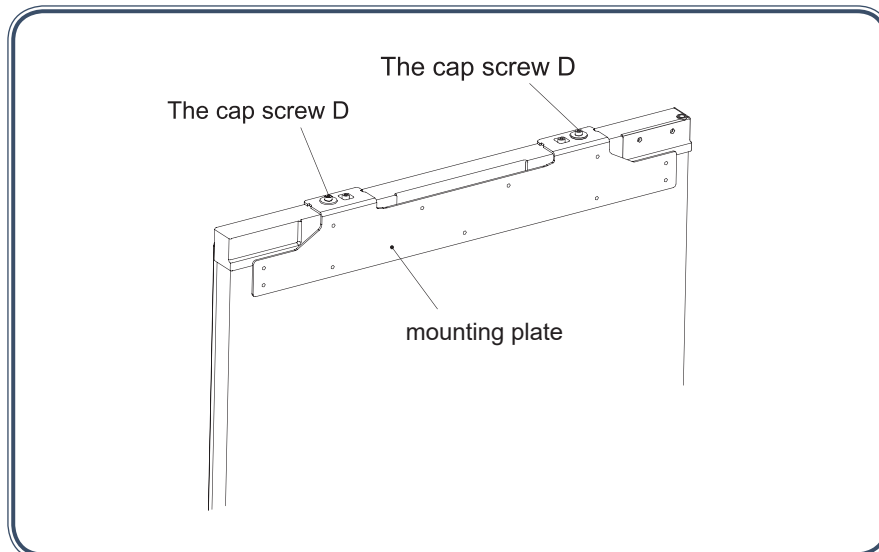


## Custom Panel Installation

1. Measure the distance between the top of the mounting plate and the upper and left side of the cabinet. Record the measurements.



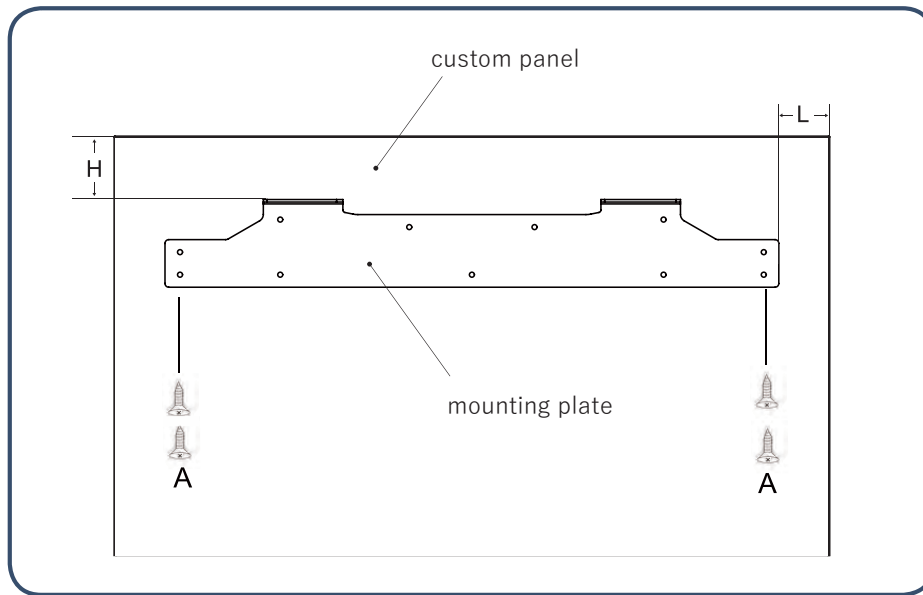
2. Loosen the cap screws to remove the mounting plate.





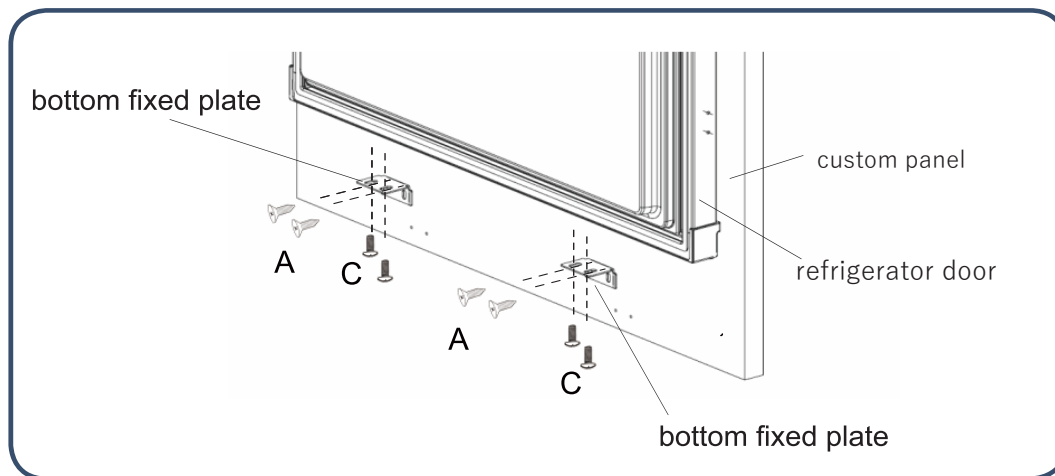
# Installation

3. Mark the mounting plate placement on the custom panel. Attach the mounting plate to the custom panel with the countersunk head screws (A).



4. Fix the custom panel to the refrigerator door using the mounting plate, then tighten the screws (Avoid over-tightening, they will need to be loosened later).

5. Secure the custom panel to the refrigerator door using the bottom fixed plate and secure it with the countersunk head screws (A).



6. Insert the sealing strip into the gap between the refrigerator and the cabinet.

**NOTE:** Apply double sided tape for a stronger seal. ( $\frac{1}{8}$ " thick recommended)

7. Repeat steps 1 – 6 for the freezer compartment.

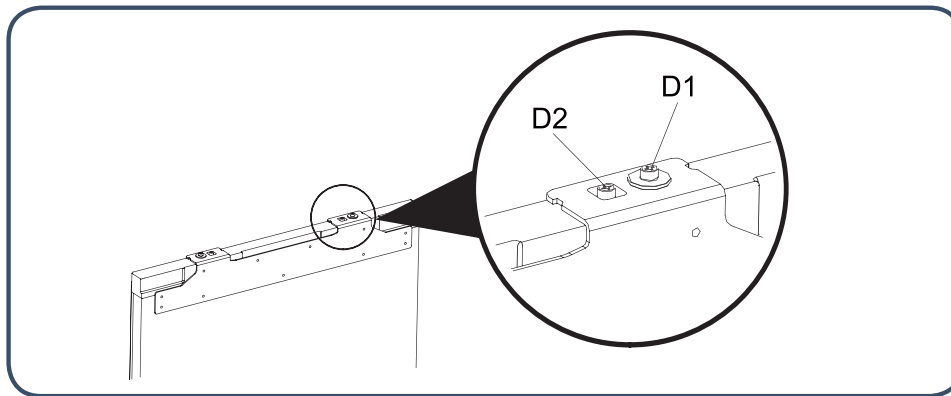
## Adjusting the Custom Panel

### 1. Adjusting the custom panel in upward and downward direction.

Adjust the **D1** screw cap in an upward motion, then adjust the **D2** screw cap upwards. To adjust the door downward, adjust the screws in a downward direction.

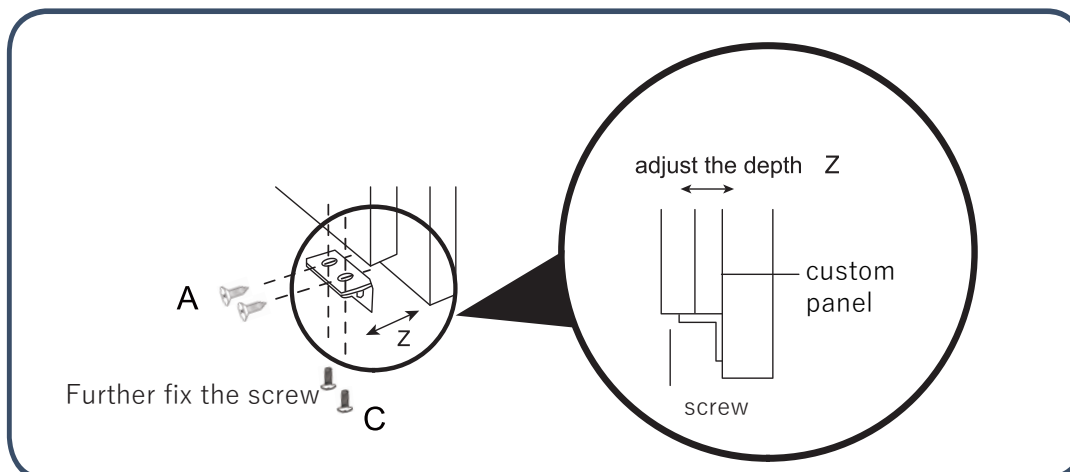
### 2. Adjusting the custom panel to the left or right.

Loosen the **D1** screw cap and move the mounting plate to the right position, then affix the **D2** screw cap.



### 3. Adjust the lower half of refrigerator custom panel.

- Slightly loosen the screws, then adjust the depth (**Z**) and tighten the screw.
- After adjusting the horizontal position of refrigerator's custom panel, fix the bottom fixed plate to the refrigerator door with screws.



# SUMMIT

# DREAMBILT

RÉFRIGÉRATEUR - CONGÉLATEUR

ENCASTRÉ ENTIERÉ

MODÈLES:

**FFBF11NT**

**DBINTRF11**

## Manuel d'Installation

Écrivez les numéros de modèle et de série ici:

Modèle \_\_\_\_\_

N° de série \_\_\_\_\_

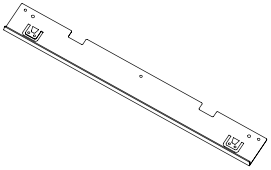
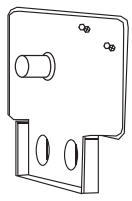
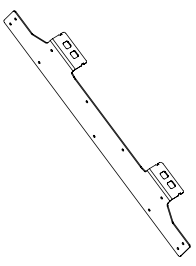
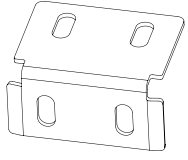


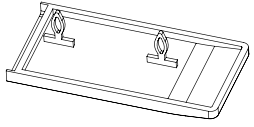
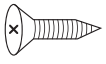
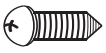
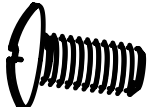

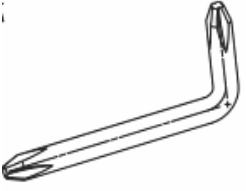
**Felix Storch, Inc.**  
**Une entreprise certifiée ISO 9001:2015**  
**770 Garrison Ave**  
**Bronx, New York 10474**  
**[www.summitappliance.com](http://www.summitappliance.com)**

## **Installation**

Avant d'Installer le Réfrigérateur	1
Conseils pour la Première Utilisation	1
Positionnement du Réfrigérateur	2
Alimentation Electrique	2
Liste des Pièces	2
Dimensions de l'Armoire et de l'Appareil	3
Exigences Ventilation Panneaux et Armoires Personnalisés	4
Préparation de l'Appareil Pour l'Installation	5
Installation du Réfrigérateur	6
Installation du Panneau Personnalisé	7-8
Réglage du Panneau Personnalisé	9

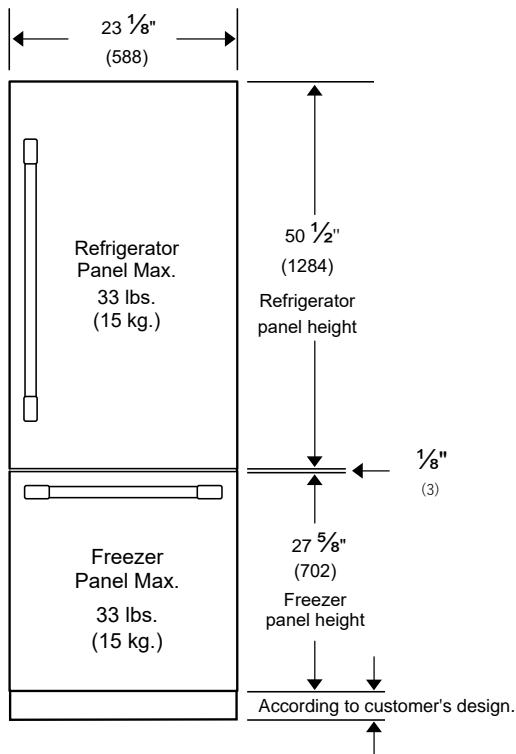
# Installation

## Part List

1. Plaque Supérieure Avant	2. Fixed Hinge Plate	3. Mounting Plate	4. Bottom Fixed Plate
 <p>1 Pc</p>	 <p>4 Pcs</p>	 <p>2 Pcs pre-installed</p>	 <p>4 Pcs</p>
5. Sealing Strip	6. Screw Cap	7. Cover Plate	8. Countersunk Head Screw
 <p>1 Pc</p>	 <p>2 Pcs</p>	 <p>1 Pc</p>	 <p>A 30 Pcs</p>
9. Pan Head Screw	10. M6 Screw	11. M6 Cap Screw	12. L-Type Screwdriver
 <p>B 6 Pcs</p>	 <p>C 10 Pcs (8 Pcs pre-installed)</p>	 <p>D 10 pcs (8 Pcs pre-installed)</p>	 <p>1 Pc</p>

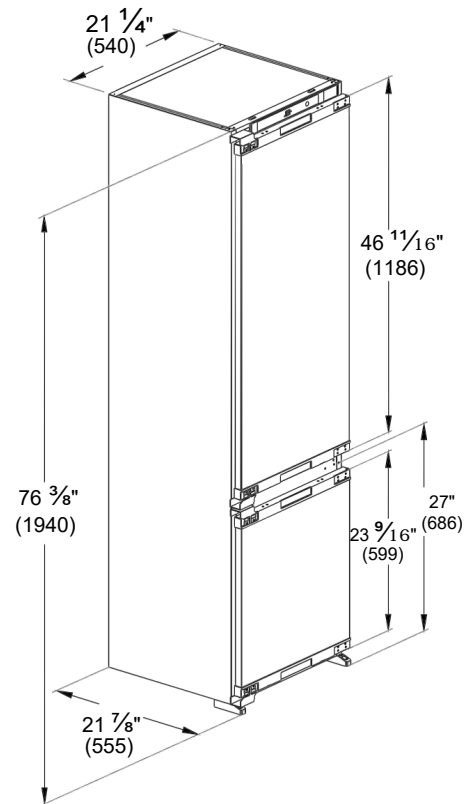
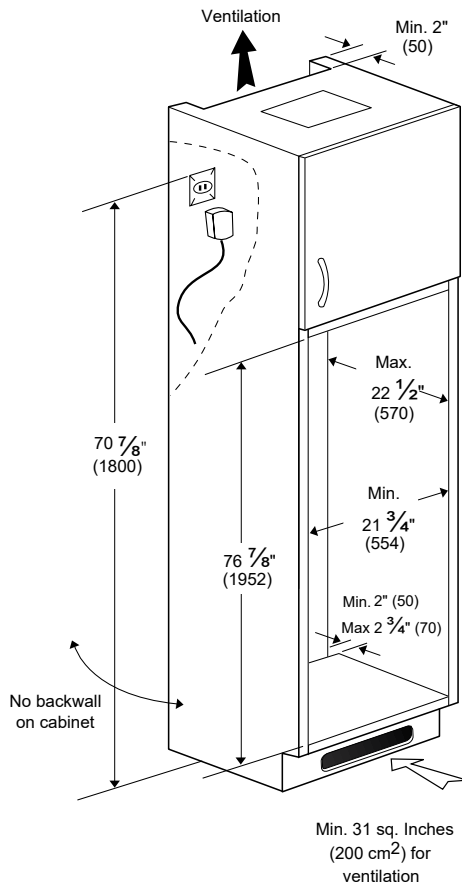
# Installation

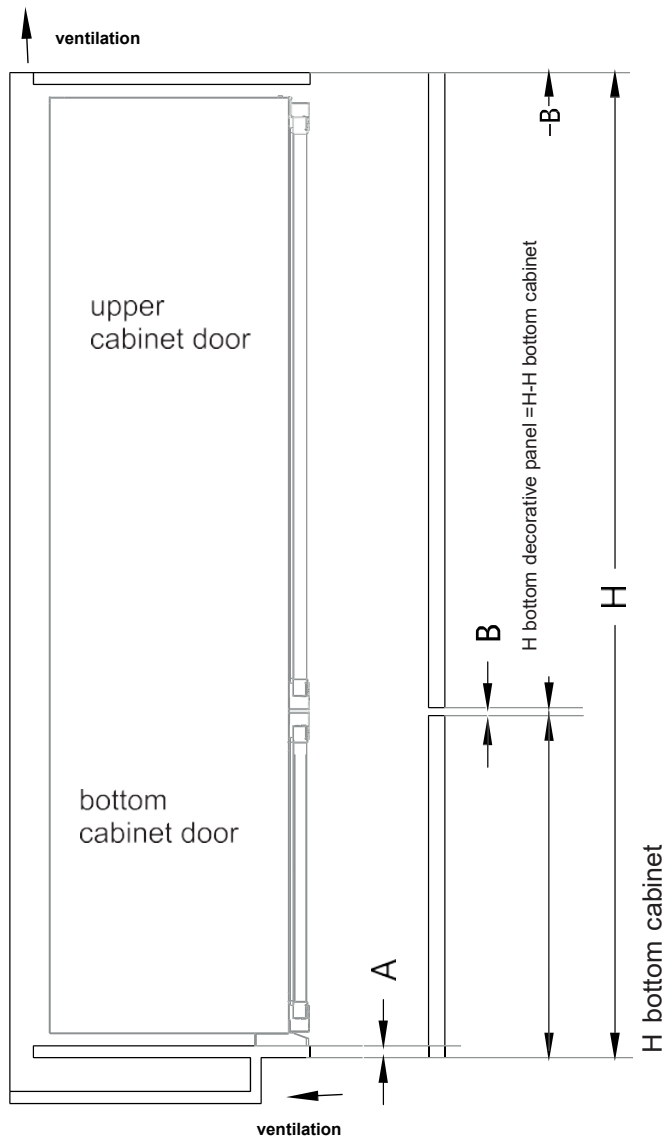
## Cabinet and Unit Dimensions



Recommended Panel Dimensions	
Freezer	23 1/8" x 27 5/8" <b>(588 x 702)</b>
Refrigerator	23 1/8" x 50 1/2" <b>(588 x 1284)</b>
Thickness	3/4" <b>(19 mm)</b>
Panel Weight (Max.)	
	33 lbs. 15 kg.

Cabinet Opening Dimensions		Product Dimensions	
Net Empty Width	21 3/4" ± 1/16" <b>554 mm</b>	Width	21 1/4" <b>540 mm</b>
Net Empty Depth	22 1/2" > (Recommended 23 5/8") <b>570 mm</b>	Depth	21 7/8" <b>555 mm</b>
Net Empty Height	76 7/8" ± 1/8" <b>1952 mm</b>	Height	76 3/8" <b>1942 mm</b>





- A: Edge dimension between the bottom door and cabinet body
- H: Cabinet height
- B: The distance between the lower and upper cabinet doors

## Preparing the Unit for Installation

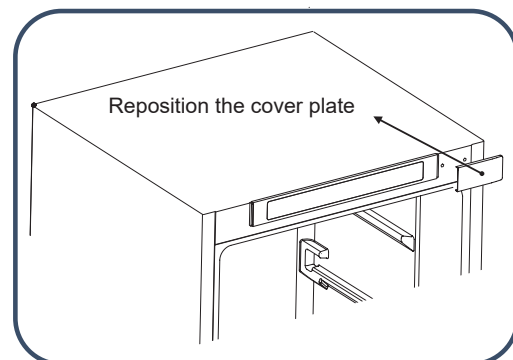
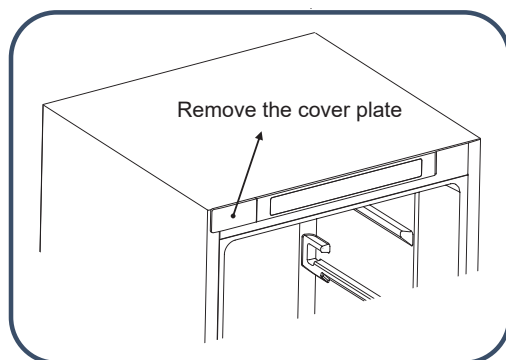
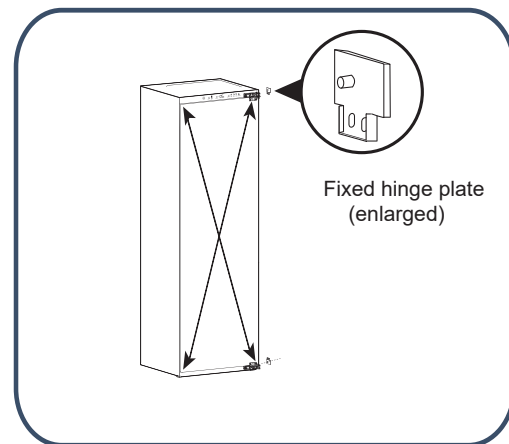
**Note:** Reversing the door swing is possible when the cabinetry is designed with a left swing option.

### Reversing the Door Swing

By default, the door swings open from the left. Install the upper and lower hinges on the left side of the door frame to reverse its swing:

1. Remove the **screw caps** on the front inside of the unit, set them aside.
2. Unscrew both compartment doors from their top and bottom hinges.
3. Detach the top and bottom hinges and the **fixed hinge plate** from the unit.
4. Reposition the hinges and **fixed hinge plates** to the diagonal corners of the opposite side of the unit (upper hinge becomes lower and vice versa).
5. Repeat steps 3 and 4 for the other compartment.
6. Reattach the door to the hinges.
7. Reinsert **screw caps** on the opposite sides of the unit.
8. Reposition the **cover plate** on the opposite side of the control panel.

#### Cross hinge placement

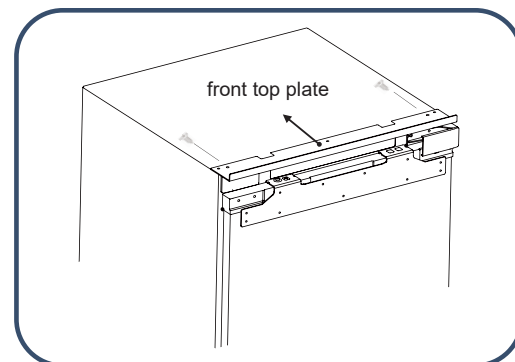


### Install the Front Top Plate

Attach the front top plate to the refrigerator using the existing screws located at the top of the unit.

### Adjust the Height

Rotate the feet and adjust them until the refrigerator is aligned with the cabinet.





## Installing the Refrigerator

### Prepare the Power Cord

- Pull the power cord through the hole located at the back of the cabinet.
- If the power socket is inside the cabinet, plug the power plug into the socket.
- Do not pinch the power cord. A damaged power cord can pose a fire.



Caution

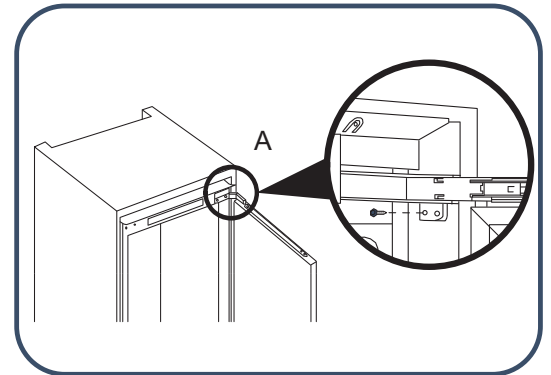
### Position the Refrigerator

- Pull the power cord through the hole located at the back of the cabinet.
- If the power socket is inside the cabinet, plug the power plug into the socket.

### Attach the Fixed Hinge Plates

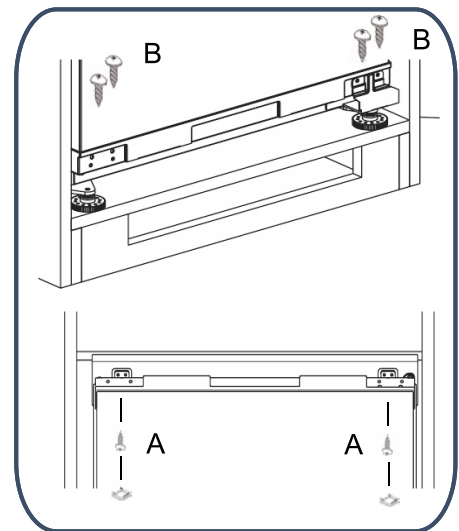
1. Slide the unit into the cabinet leaving the hinges exposed.
2. Attach the **fixed hinge plates** to the top and bottom hinges of the refrigerator and freezer compartments.
3. Push the unit into the cabinet till the face of the unit's door is flush with the cabinet wall.
4. Open the compartment door and use **one countersunk head screw (A)** to hold each **fixed hinge plate** in place.

**NOTE:** Secure the **fixed hinge plates** after successfully installing the wood panel to the unit's doors.



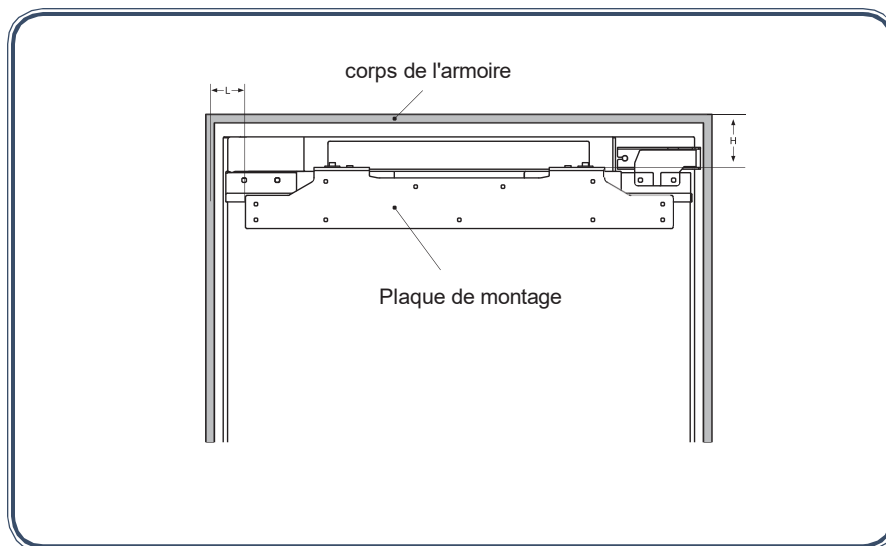
### Align and Secure the Refrigerator

- Secure feet to the bottom of the cabinet with the **pan head screws (B)**.
- Secure the **front top plate** of the refrigerator to the cabinet's top interior with the **countersunk head screws (A)**.
- Cover the screws with screw caps for a finished look.

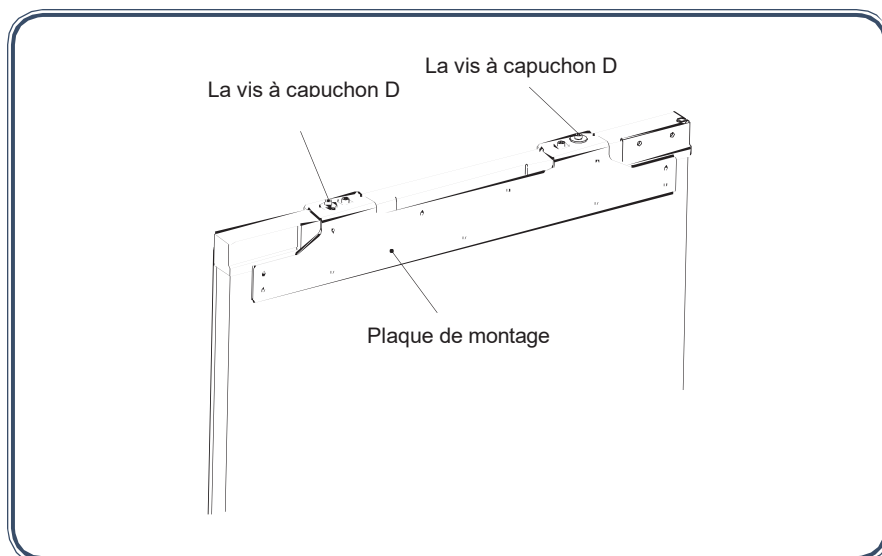


## Installation de Panneaux Personnalisés

1. Mesurez la distance entre la plaque de montage supérieure de la porte du compartiment réfrigérateur et le haut/gauche de l'armoire et notez la position.

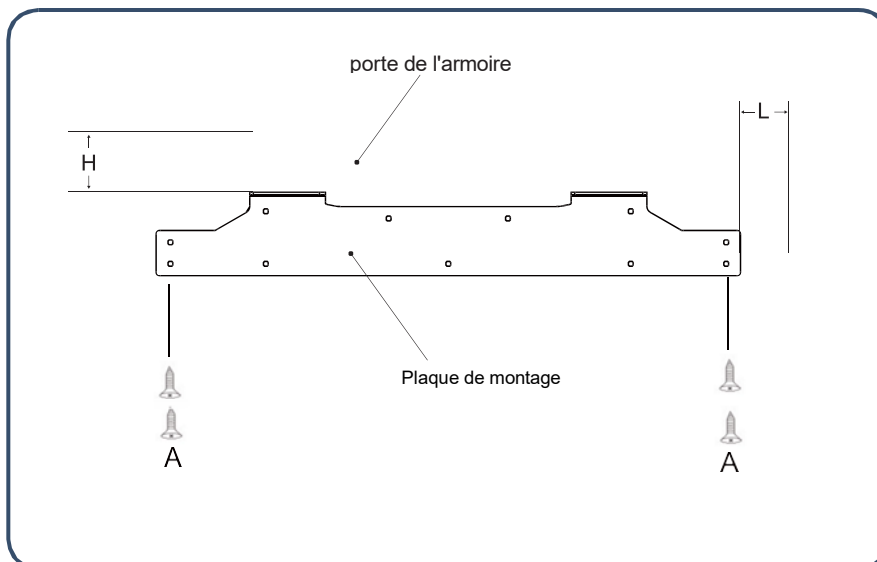


2. Desserrez les vis à capuchon et retirez la plaque de montage.



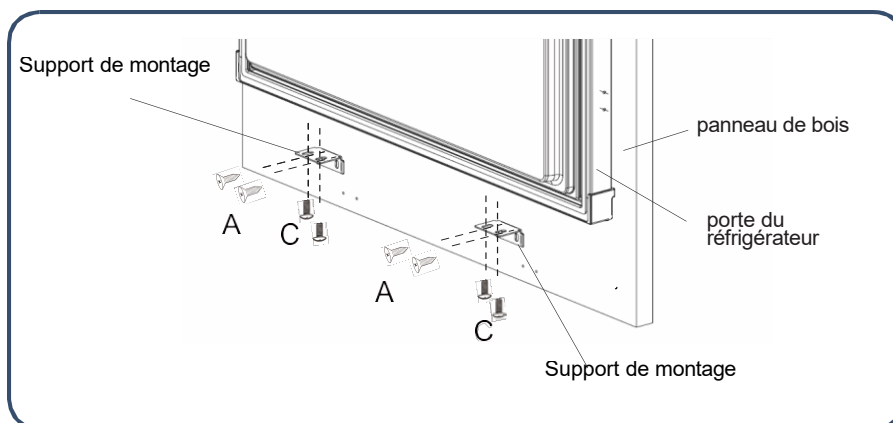
# Installation

3. Mesurez et confirmez la position pour fixer la plaque de montage sur la porte de l'armoire, puis fixez la plaque de montage à la porte de l'armoire avec des vis.



4. Fixez la porte de l'armoire à la porte du compartiment réfrigérateur avec la plaque de montage, puis serrez les vis (veuillez à ne pas trop serrer les vis car elles devront être desserrées plus tard).

5. Fixez la porte du réfrigérateur à la porte de l'armoire avec la plaque fixe inférieure.



6. Rentez la bande d'étanchéité dans l'espace entre le réfrigérateur et l'armoire.

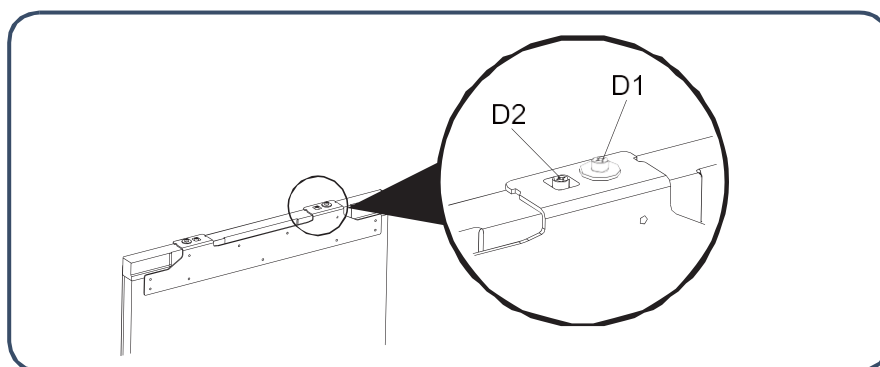
## Ajustement de la Porte de l'Armoire

### 1. Ajustement de la porte de l'armoire vers le haut et vers le bas.

Ajustez le bouchon à vis **D1** dans un mouvement vers le haut, puis ajustez le bouchon à vis **D2** vers le haut. Pour ajuster la porte vers le bas, ajustez les vis vers le bas.

### 2. Réglage de la porte de l'armoire vers la gauche ou la droite.

Desserrez le capuchon à vis **D1** et déplacez la plaque de montage dans la bonne position, puis fixez le capuchon à vis **D2**.



### 3. Ajustez la moitié inférieure de la porte de l'armoire du réfrigérateur.

- Desserrez légèrement les vis, puis réglez la profondeur (**Z**) et serrez la vis.
- Après avoir ajusté la position horizontale de la porte de l'armoire du réfrigérateur, fixez la plaque fixe inférieure à la porte du réfrigérateur avec des vis.

