

RANGE HOODS



INSTRUCTION MANUAL

Models

SEH1524

SEH1536

SUMMIT

FELIX STORCH, INC.
770 Garrison Avenue
Bronx, New York 10474
www.summitappliance.com

TABLE OF CONTENTS

Safety Warnings	2-4
Location of Parts	5
Technical Specifications	6
Dimensional Diagram	7
Installation	8-10
Positioning the Range Hood.....	8
Preparing the Site.....	8-9
Installing Mounting Brackets.....	9
Installing the Range Hood on the Wall.....	9-10
Operation	11
Speed Choice	
Lighting	
Efficient Ventilation	
Cleaning and Maintenance	12-13
Carbon Filter Replacement.....	12
Replacement of Lighting Components.....	13
Moving the Hood.....	13
Troubleshooting	14
Troubleshooting Guide	
Service and Spare Parts	
Exploded View(For 24" Model)	15
Parts List(For 24" Model)	16
Exploded View(For 36" Model)	17
Parts List(For 36" Model)	18
Wiring Diagram	19
Limited Warranty	20

SAFETY WARNINGS

- a. This product is designed for domestic use.
- b. Electric input for the device must be 110-120 Volt, 60 Hz.
- c. A grounded cable is installed in your device. It must be connected to a grounded electrical socket.
- d. All of the electrical installation must be done by a qualified electrician. Installations done by unqualified persons may result in poor performance, failure of the device, and accidents.
- e. Do not let the power cord become pinched or squeezed during installation. Keep the cord away from cooking surfaces; otherwise, the cord could melt and fire could result.
- f. Do not connect the power cord before installation is complete.
- g. If the lights in your device have been on for a long time, do not touch them. They are hot enough to burn your hands.
- h. Kitchen hoods are designed for cooking in domestic residences. There is a risk of failure if they are used for other purposes, and this will void the warranty.
- i. Comply with local codes and regulations related to discharging air. (This warning does not apply to hoods with no stack).
- j. Do not cook flammable foods below the hood.
- k. Start the hood after placing pots or pans on your cooking surface. Otherwise, high temperatures may result in deformation of parts of the hood.
- l. Do not leave hot oil on the cooking surface. Pots that contain hot oil can ignite, causing fires.
- m. When frying foods, be watchful of curtains. They may catch fire.
- n. Change the filters regularly. Oily residues could become fire risks.
- o. When replacing filters, always use the same type of filter as the original. Substitutes may be unsuitable.
- p. Do not use the device without a filter. Do not remove filters while the device is working.
- q. If there is ignition or sparking, cut off the electric power to the device. (Turn off the switch.)

- r. If the device is not cleaned regularly, built-up grime and dirt could cause a fire.
- s. When you make the stack installation for your hood, use 150 mm (5.9") diameter pipes. The stack installation must be as short and with as few bends as possible.
- t. Keep the packing materials away from children, as these materials could be dangerous to them.
- u. Ensure that children do not play with the device. Do not let little children use the device.

- v. If the electrical cable is defective, it must be changed by the manufacturer or a qualified service technician.
- w. If there is a fire, cut off the power to the hood and cooking devices and cover the flame. Do not use water to extinguish the fire.

READ AND SAVE THESE INSTRUCTIONS

WARNING! TO REDUCE THE RISK OF A RANGE-TOP GREASE FIRE:

- a. Never leave surface units unattended at high settings. Boilovers cause smoking and greasy spillovers that may ignite. Heat oils slowly on low or medium settings.
- b. Always turn hood ON when cooking at high heat or when flambéing food.
- c. Clean ventilating fans frequently. Grease should not be allowed to accumulate on fan or filters.
- d. Use proper pan size. Always use cookware appropriate for the size of the surface element.

WARNING! TO REDUCE THE RISK OF INJURY TO PERSONS IN THE EVENT OF A RANGE-TOP GREASE FIRE, OBSERVE THE FOLLOWING:

- a. SMOTHER FLAMES with a close-fitting lid, cookie sheet or metal tray, then turn off the burner. BE CAREFUL TO PREVENT BURNS. If the flames do not go out immediately, EVACUATE AND CALL THE FIRE DEPARTMENT.
- b. NEVER PICK UP A FLAMING PAN – you may be burned.
- c. DO NOT USE WATER, including wet dishcloths or towels, to douse the fire – a violent steam explosion could result.
- d. Use an extinguisher ONLY if:
 - 1. You know you have a Class ABC extinguisher, and you already know how to operate it.
 - 2. The fire is small and contained in the area where it started.
 - 3. The fire department is being called.
 - 4. You can fight the fire with your back to an exit.

WARNING! TO REDUCE THE RISK OF FIRE, ELECTRIC SHOCK, OR OTHER INJURY, OBSERVE THE FOLLOWING:

LIMITED WARRANTY

SUMMIT Appliance warrants this product to be free from defects in materials and workmanship for a period of one year from the date of original purchase or delivery. Any parts determined to be defective will be replaced by SUMMIT at no charge to you. Plastic parts, liners, and outer cabinets are warranted to be manufactured to commercially acceptable standards and free from defects at the time of delivery.

This limited warranty does not apply to:

1. Improper installation
2. Customer misuse, negligence or damage
3. Incorrect electrical current
4. Products with serial number altered or removed
5. Products sold or used outside the fifty United States or District of Columbia
6. Commercial or industrial users
7. Damage to this product from accidents, alterations, failure to follow instructions, fire, floods, earthquakes, war, civil disturbance or Acts of God.

SUMMIT is not liable for consequential or incidental damage.

DISCLAIMER OF IMPLIED WARRANTIES; LIMITATION OF REMEDIES

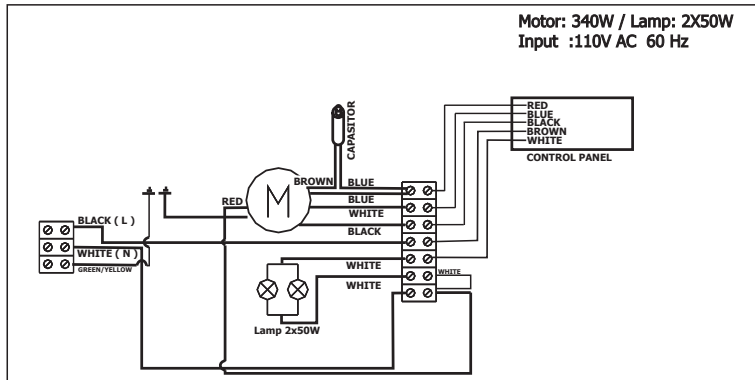
CUSTOMER'S SOLE AND EXCLUSIVE REMEDY UNDER THIS LIMITED WARRANTY SHALL BE PRODUCT REPAIR AS PROVIDED HEREIN. IMPLIED WARRANTIES, INCLUDING WARRANTIES OF MERCHANTABILITY OR FITNESS FOR A PARTICULAR PURPOSE, ARE LIMITED TO ONE YEAR. WARRANTOR SHALL NOT BE LIABLE FOR INCIDENTAL OR CONSEQUENTIAL DAMAGES. SOME STATES DO NOT ALLOW THE EXCLUSION OR LIMITATION OF INCIDENTAL OR CONSEQUENTIAL DAMAGES, OR LIMITATIONS ON THE DURATION OF IMPLIED WARRANTIES OF MERCHANTABILITY OR FITNESS, SO THESE EXCLUSIONS OR LIMITATIONS MAY NOT APPLY TO YOU. THIS WARRANTY GIVES YOU SPECIFIC LEGAL RIGHTS AND YOU MAY ALSO HAVE OTHER RIGHTS, WHICH VARY FROM STATE TO STATE.

FELIX STORCH, INC.
Summit Appliance Division
 770 Garrison Avenue
 Bronx, NY 10474
 Phone: (718) 893-3900
 Fax: (718) 842-3093
www.summitappliance.com



For parts and accessory ordering, troubleshooting and helpful hints, visit:
www.summitapplianceparts.com

WIRING DIAGRAM



- Use this unit only in the manner intended by the manufacturer. If you have questions, contact the manufacturer.
- Before servicing or cleaning the unit, switch power off at the service panel and lock the service-disconnecting means to prevent power from being switched on accidentally. If the service-disconnecting means cannot be locked, securely fasten a prominent warning device, such as a tag, to the service panel.
- To reduce the risk of fire or electric shock, do not use this fan with any solid-state speed control device.

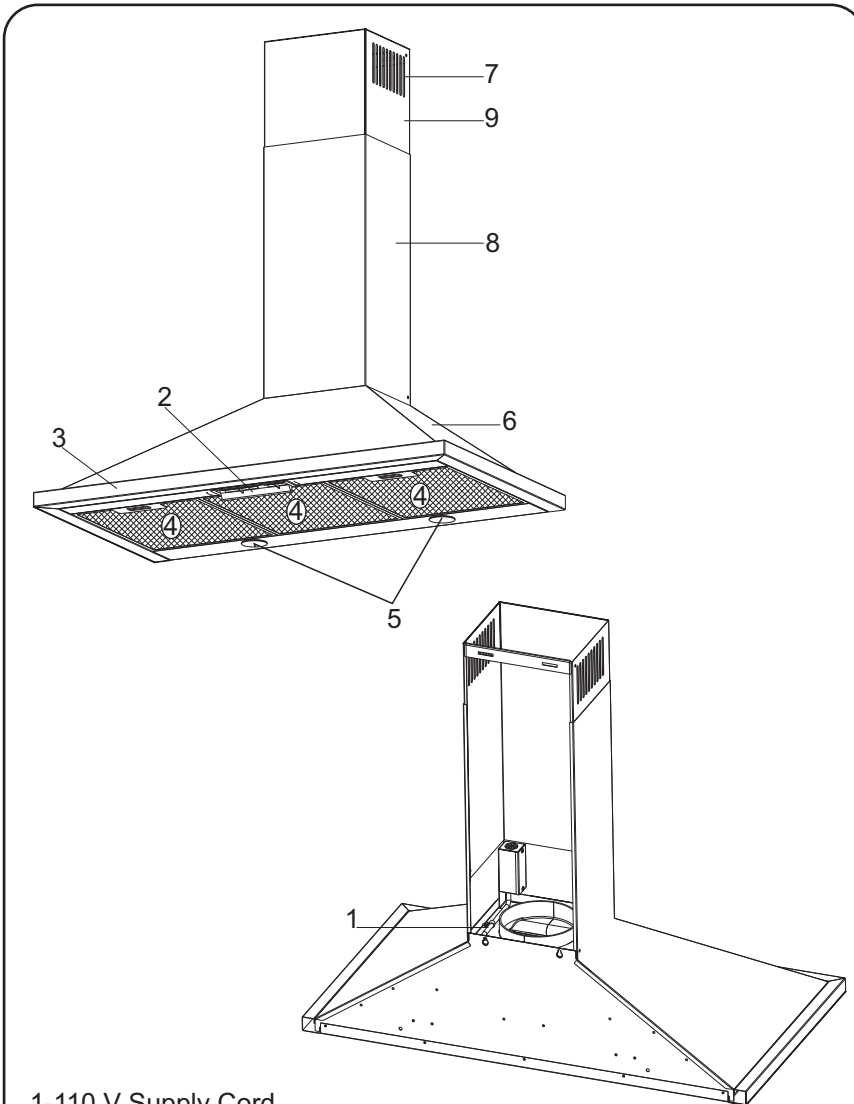
CAUTION:

- The fan in this device is for general ventilating use only. Do not use to exhaust hazardous or explosive materials and vapors.
- To reduce the risk of fire and to properly exhaust air, be sure to duct air outside. Do not vent exhaust air into spaces within wall, ceilings, attics, crawl spaces or garages.
- Use only metal duct work.

WARNINGS ABOUT HANDLING AND CARRYING

- All the materials used in the packaging of your device are suitable for recycling.
- Comply with the warning labels on the packs during transportation.
- Grasp handling grips while carrying your device.

LOCATION OF PARTS

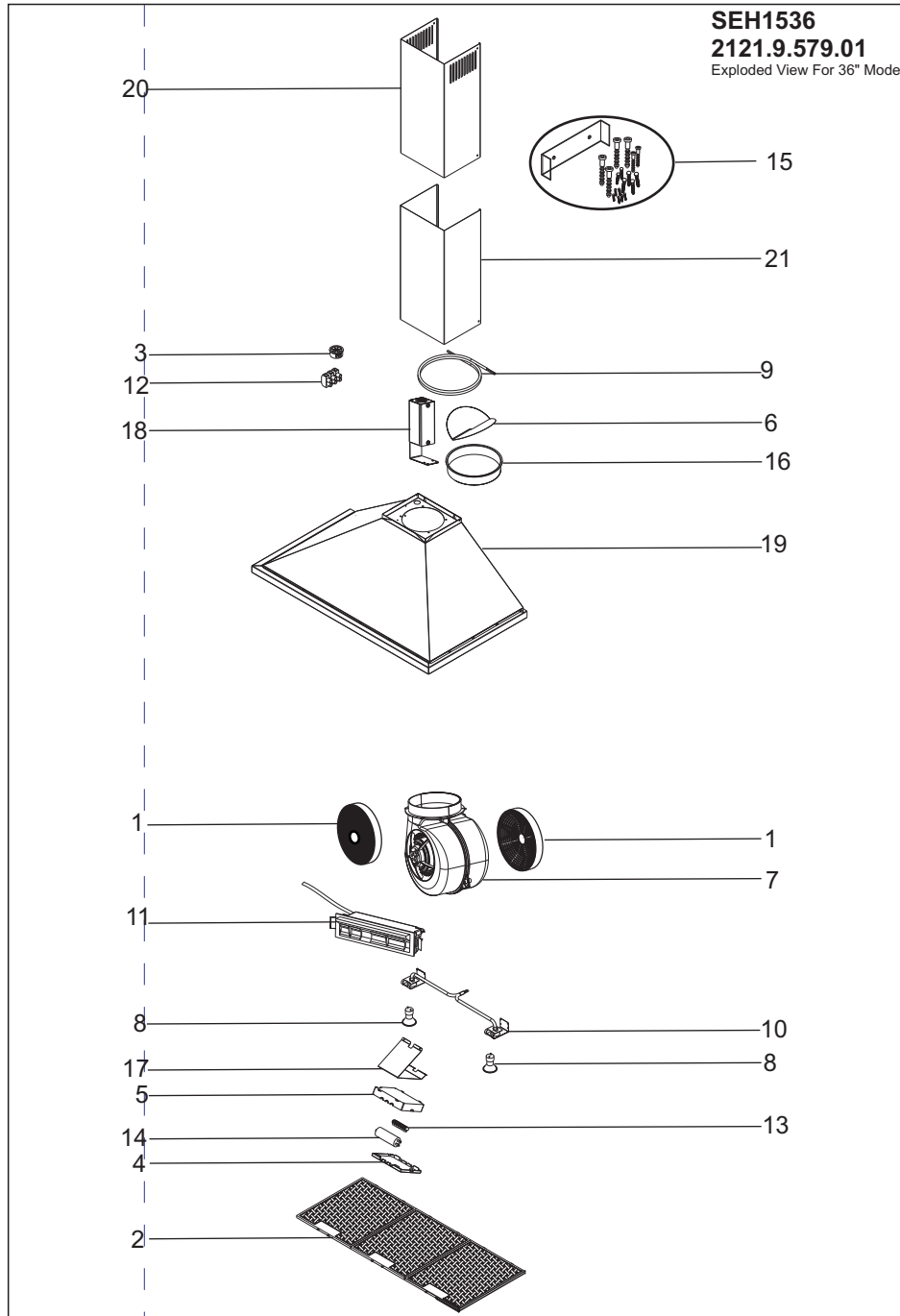


- 1-110 V Supply Cord
- 2-Control Panel
- 3-Front Panel
- 4-Aluminum Cassette Filters
- 5-Illumination
- 6-Body
- 7-Ventilation
- 8-External Chimney
- 9-Internal Chimney

Figure 1

Model	SEH1536	
Model No	2121.9.579.01	
Pos.	Part No.	Spare Part
1	YT971.1000.22	CARBON FILTER
2	YT142.2120.06	ALUMINUM CASSETTE FILTER
3	YT207.1000.35	CABLE FIXER(FOR CHIMNEY HOOD)
4	YT201.1000.22	CIRCUIT BOX COVER
5	YT201.1000.24	CIRCUIT BOX
6	YT202.1000.16	METAL VALVE
7	YT460.1000.16	BLOWER
8	YT403.1000.10	HALOGEN LAMP-50W
9	YT404.1000.24	POWER SUPPLY CORD
10	YT455.2120.01	LAMP HOLDER GROUP
11	YT458.2120.04	SLIDER BUTTON
12	YT402.1000.02	CONNECTOR (3 PARTS)
13	YT402.2122.01	CONNECTOR (7 PARTS)
14	YT410.1000.09	CAPACITOR
15	YM972.2121.06	CHIMNEY MOUNTING BRACKET SET
16	YM171.2120.601	VALVE MOUNTING PLATE
17	YM121.2120.609	CIRCUIT BOX MOUNTING PLATE
18	YM121.2120.610	CONNECTOR BOX
19	YM913.2120.923	BODY GROUP
20	YM131.2120.642	INTERNAL CHIMNEY
21	YM131.2120.643	EXTERNAL CHIMNEY

EXPLODED VIEW



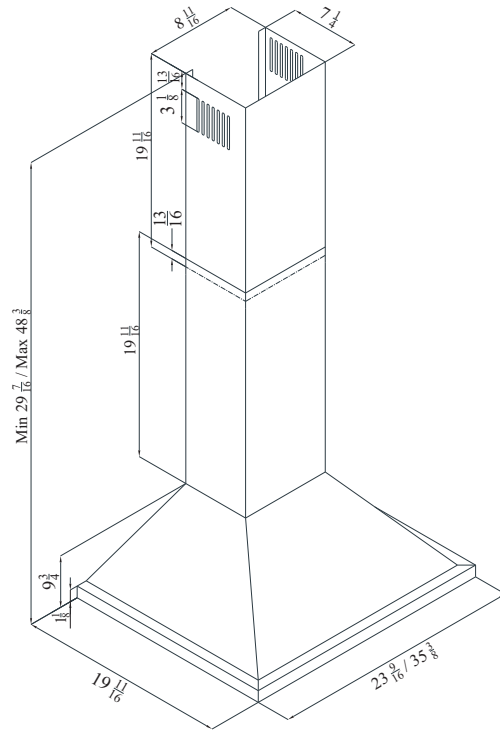
TECHNICAL SPECIFICATIONS

Model	SEH1524-SEH1536
Voltage(V)	110-120 V
Lamp (W)	2 x 50 W
Control Type	Slider Button
Motor Power (W)	340 W
Capacity (CFM)	500 CFM
Motor Insulation Class	F
Insulation Class	CLASS I

Table 2

DIMENSIONAL DIAGRAM

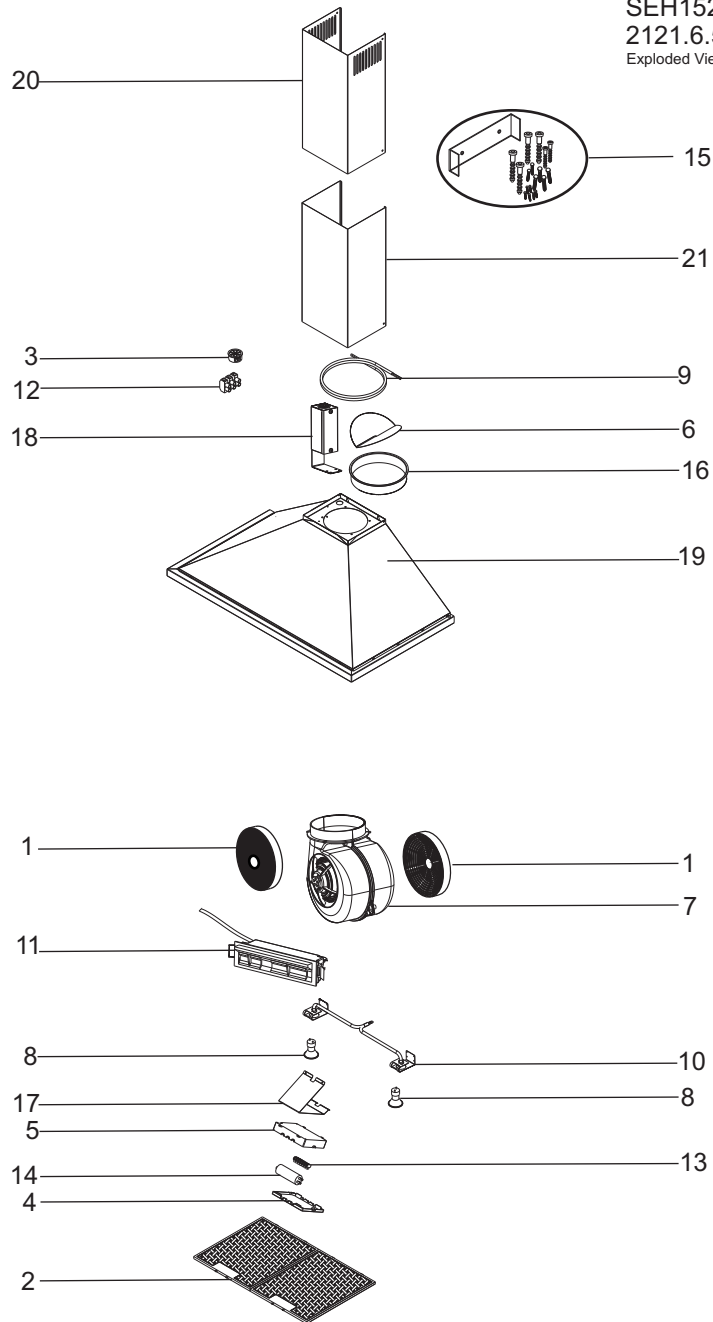
WARNING!
TO REDUCE THE RISK OF FIRE, USE ONLY METAL DUCTWORK.



Model	SEH1524	
Model No	2121.6.579.01	
Pos.	Part No.	Spare Part
1	YT971.1000.22	CARBON FILTER
2	YT142.2120.03	ALUMINUM CASSETTE FILTER
3	YT207.1000.35	CABLE FIXER(FOR CHIMNEY HOOD)
4	YT201.1000.22	CIRCUIT BOX COVER
5	YT201.1000.24	CIRCUIT BOX
6	YT202.1000.16	METAL VALVE
7	YT460.1000.16	BLOWER
8	YT403.1000.10	HALOGEN LAMP-50W
9	YT404.1000.24	POWER SUPPLY CORD
10	YT455.2120.01	LAMP HOLDER GROUP
11	YT458.2120.04	SLIDER BUTTON
12	YT402.1000.02	CONNECTOR (3 PARTS)
13	YT402.2122.01	CONNECTOR (7 PARTS)
14	YT410.1000.09	CAPACITOR
15	YM972.2121.06	CHIMNEY MOUNTING BRACKET SET
16	YM171.2120.601	VALVE MOUNTING PLATE
17	YM121.2120.609	CIRCUIT BOX MOUNTING PLATE
18	YM121.2120.610	CONNECTOR BOX
19	YM913.2120.627	BODY GROUP
20	YM131.2120.642	INTERNAL CHIMNEY
21	YM131.2120.643	EXTERNAL CHIMNEY

EXPLODED VIEW

SEH1524
2121.6.579.01
Exploded View For 24" Model

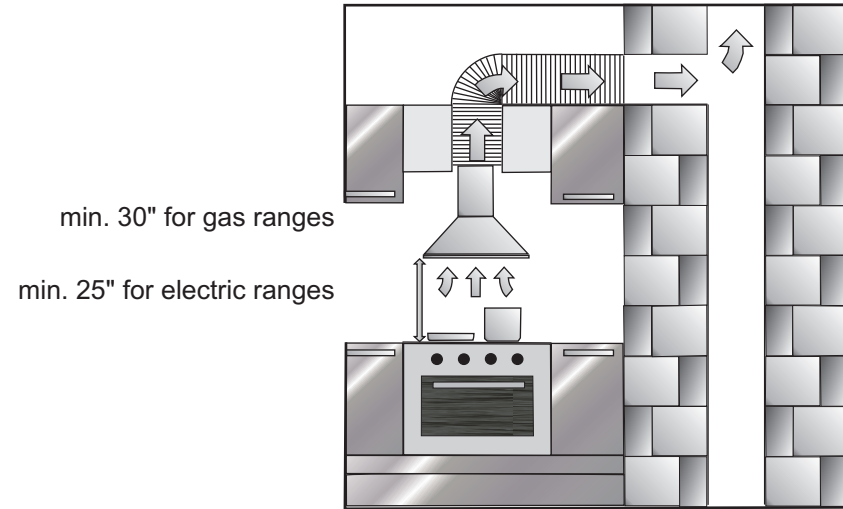


INSTALLATION

CAUTION: During installation, persons installing the hood must wear heavy gloves to protect against sharp edges.

POSITIONING THE RANGE HOOD

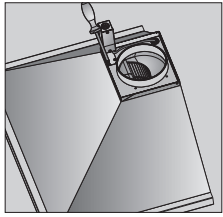
Upon completion of installation, the distance between the hood and an electric rangetop must be a minimum of 25" (65cm), and the distance between the hood and a gas rangetop must be a minimum of 30" (75cm).



PREPARING THE SITE

WARNING – TO REDUCE THE RISK OF FIRE, ELECTRIC SHOCK, OR INJURY, OBSERVE THE FOLLOWING:

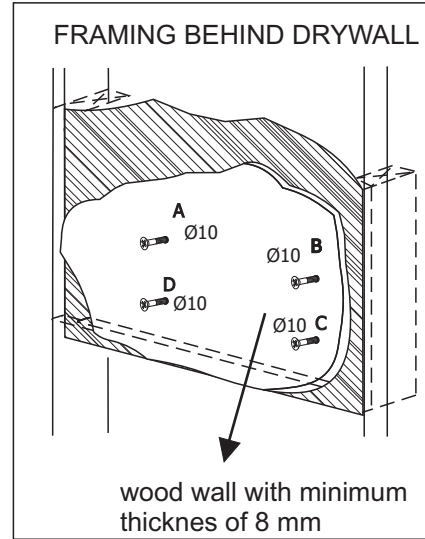
- Installation work and electrical wiring must be done by qualified personnel in accordance with all applicable codes and standards, including fire-rated construction.
- Sufficient air is needed for proper combustion and exhausting of gases through the flue (chimney) of fuel-burning equipment to prevent backdrafting. Follow the range manufacturer's guidelines and safety standards such as those published by the National Fire Protection Association (NFPA), the American Society for Heating, Refrigeration and Air Conditioning Engineers (ASHRAE), and the local code authorities.
- When cutting or drilling into wall or ceiling, do not damage electrical wiring and other hidden utilities.
- Ducted fans must always be vented to the outdoors.



Fix the connector box to the motor junction plate with two 3,5 x 9,5 RYSB screws as shown.

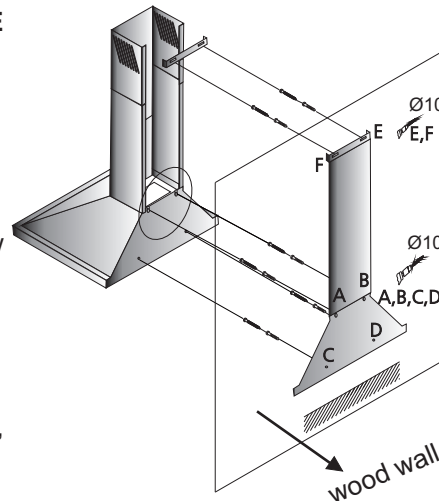
INSTALLING MOUNTING BRACKETS

- Construct wood wall framing with minimum thickness of 8 mm (0.3") that is flush with interior surface of wall studs.
Make sure:
 - the framing is centered over installation location;
 - the height of the framing will allow the mounting brackets to be secured to the framing.
- After wall surface is finished, secure mounting brackets to framing using the assembly scheme.



INSTALLING THE RANGE HOOD ON THE WALL

- Bore the suspender holes:
Use the assembly template to bore holes. Using a $\varnothing 10$ mm drill bit, drill 4 holes A, B, C, D into the wall. With the same drill bit, drill 2 holes (E, F) to screw on the chimney mounting plate. Drill holes must be about 9/16" (15 mm) below the ceiling.
- Fix the inserts:
Fix 4 inserts of $\varnothing 10$ mm into the holes A, B, C and D.
Fix 2 inserts of $\varnothing 10$ mm into the holes E and F.



TROUBLESHOOTING

If hood does not operate, before contacting customer service:

Be sure that the power cable is connected to the power supply and that the electric fuse for the installation is in good condition. Before contacting the service, check your hood according to the table below. If the problem continues, contact your dealer or authorized service center.

Troubleshooting Guide

	Check electric connection. (Supply voltage should be 110-120 V, hood should be connected to grounded socket.)	Check motor switch. (Motor switch should be in I,II,III position)	Check lamp switch. (Lamp switch should be in on position.)	Check aluminum filter. (Aluminum cassette filter should be washed once a month under normal conditions.)	Check bulbs. (Bulbs should be in good conditions.)	Check air outlet chimney. (Air outlet chimney should be open.)	Check carbon filter. (If it operates with carbon filter, carbon filter should be replaced quarterly.)
Hood does not operate	X	X					
Illumination lamp does not illuminate	X		X		X		
Air suction of hood is weak				X		X	X
It does not exhaust air (in the ambient without chimney)				X			X

Service and Spare Parts

You can obtain service advice and spare parts for your product directly from SUMMIT by calling us at **1-800-932-4267** or by going to our website at

www.summitappliance.com/support

Have the model number of your range hood handy. This can be found on the product label, which can be seen when you remove the aluminum cassette filter.

An exploded view, parts list and wiring diagram for your unit can be found on the following pages of this manual.

REPLACEMENT OF LIGHTING COMPONENTS

Disconnect the hood.

Remove the aluminum cassette filter.

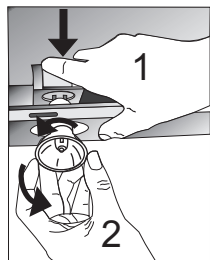
In order to change the 50-watt halogen light bulb, refer to diagram below. (1) Press down on the back part of the lamp holder and (2) turn it counter-clockwise.

Replace old bulb with new one. Turn in reverse direction when installing new bulb.

WARNING!

Be sure the bulb is cool before trying to change it.

50-W Halogen bulb



Note: Replacement bulbs can be purchased directly from SUMMIT by calling us at **1-800-932-4267** or by going to our website at www.summitappliance.com/support.

Have the model number of your range hood handy.

MOVING THE HOOD

If you expect to have to move your range hood:

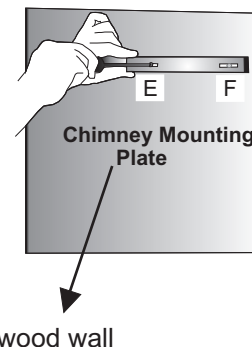
- * Keep original packaging. Move your hood using original packaging; comply with moving instructions printed on the packaging.

If you do not have original packaging:

- * Do not put any load on the range hood.
- * Avoid any possible impacts.
- * Pack the hood in such a way as to prevent damage.

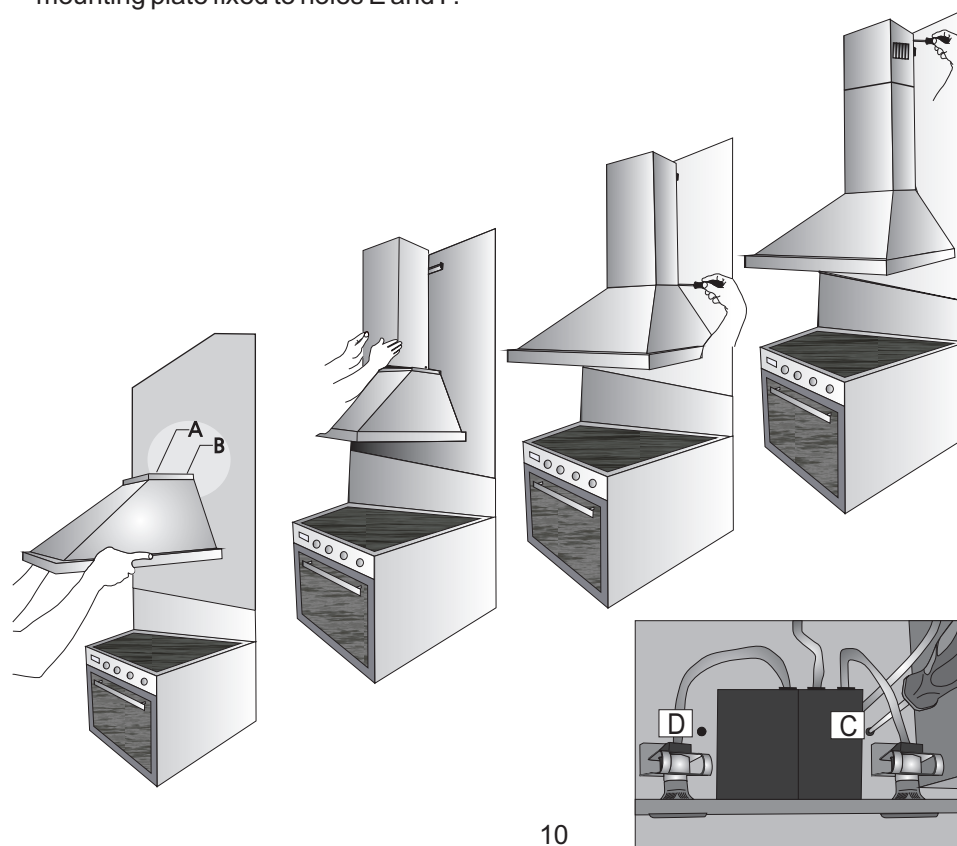
3. Fix the suspender screws.

Fix the screws to holes A and B. Keep a clearance of 5 mm (0.2") between wall and head of screws in order to hang the hood body easily. Fix the chimney mounting plate to holes E and F by using the screws provided with hood.



4. Hang the range hood on the wall:

Hang the range hood on screws A and B, then tighten the screws securely. Fix two screws into the C and D holes through the corresponding holes inside the hood. Assemble flexible aluminum tubing to the plastic fitting on the hood. Connect the other end of the tubing to the wall outlet. Assemble upper exhaust to lower exhaust. Place both parts on the range hood. Screw lower exhaust to the body using the side holes. Fix upper exhaust by using the holes on the side of exhaust mounting plate fixed to holes E and F.

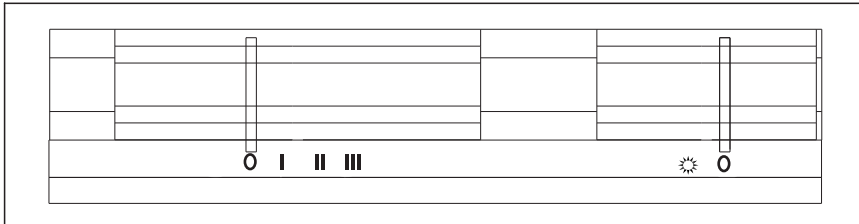


OPERATION

SPEED CHOICE

Product has three-speed motor and a multi-positioned switch to command the motor. For best performance, we recommend you to operate the unit at high speed in excessively smokey and smelly places. Motor starts as the slider switch is opened and stops as the slider set is closed. The slider button at the bottom of the device is for turning the device on. To turn on the device, slide the button to the right.

Hood must be started a few minutes before cooking starts and continue to operate after cooking is finished until odors and fumes are removed.



LIGHTING

Hood has 2 lamps and a lamp switch to command the illumination. To turn the illumination on, slide the slider illumination button to the left.

EFFICIENT VENTILATION

For correct ventilation, windows opening outside must be kept closed. Doors and windows opening to other rooms may be kept open.

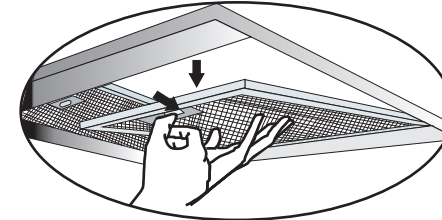
IMPORTANT NOTE!

Pay attention when operating the hood simultaneously with devices that work by burning the ambient air with fuel (such as gas heaters). The burning may be affected because the hood discharges air in the room to the outside.

This advice does not apply to hoods not having an outside exhaust.

CLEANING AND MAINTENANCE

- * Disconnect the device prior to maintenance (cut off its power supply by turning off the switch).
- * The aluminum cassette filter holds oils and dust from the air. The metal filter must be washed in hot soapy water every month, if possible in the dishwasher at 140°F.
- * To disassemble, press on the spring clamps at the edge of the cassette filter. (Do not reassemble before drying after cleaning.)



- * Outer surfaces of the hood should be wiped with a cloth dampened with a solution of liquid detergent. Do not clean the unit with products containing corrosive substances.
- * Avoid wetting switches or other electronic parts when cleaning with water or other liquids.
- * When cleaning stainless steel surfaces, use products specifically made for this use.

Note: Aluminum filters may change color after several washings in the dishwasher.

This is normal and does not affect the performance of the filter.

CARBON FILTER REPLACEMENT

Before replacing the round carbon filters, disconnect the power to your device. The carbon filters are located behind the metal filter, on the left and the right sides of the blower. First, take out the metal filter. To replace the carbon filters, remove the old ones from the device and mount the new ones as shown. In kitchens that do not have a chimney outlet, the carbon filter should be replaced every 3-5 months depending on usage.

