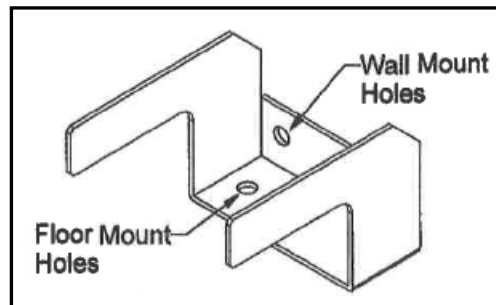


INSTALLATION INSTRUCTIONS: ANTI-TIP BRACKET

When properly installed, the anti-tip bracket will keep your appliance from tipping forward, even when an unexpected weight is placed on the front of the unit. Follow these instructions to ensure proper installation.

The bracket must be firmly screwed into the floor or wall behind the unit, depending on the height of the unit off the floor. The customer must supply the fasteners



The bracket will be positioned at the back of the appliance, 1¼" from the left edge (as you face the front). Holes should be drilled at 1-13/16" and 3-9/16" from the left edge of the unit. Drill into a suitable foundation, either wood studs or joists. The bracket must not be screwed into sheetrock.

Once the bracket is secured, slide the appliance into place, being sure that the two horizontal prongs of the bracket are positioned in the grillwork at the back of the unit, as shown below. Test the bracket by exerting a downward force on the front of the unit; if it seems stable, the unit is secure.

