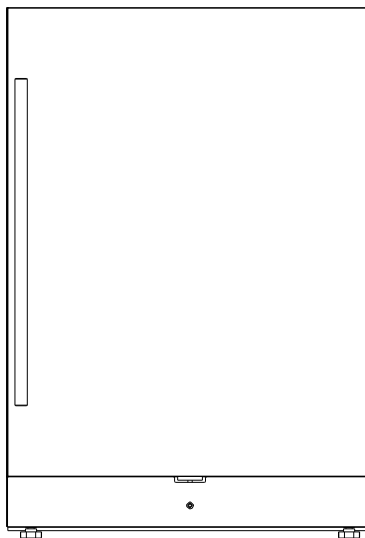


**24" FROST-FREE REFRIGERATOR/
FREEZER WITH ICE MAKER**

User Manual



MODELS:

FFRF51M

FFRF55

LRF41M

LRF45

BEFORE USE, PLEASE READ AND FOLLOW ALL SAFETY RULES AND OPERATING INSTRUCTIONS.

Write Model and Serial No. (on lower left side of inside cabinet) here:

Model _____

Serial No. _____

Felix Storch, Inc.
ISO 9001:2015 registered company
770 Garrison Avenue
Bronx, NY 10474
www.summitappliance.com

TABLE OF CONTENTS

<i>Appliance Safety</i>	1
<i>Important Safeguards</i>	1-4
<i>Disposal</i>	5
<i>Location of Parts</i>	6
<i>Installation Instructions</i>	7-13
<i>Before Using Your Appliance</i>	7
<i>Installation of Your Appliance</i>	7-9
<i>Connecting to the Water Supply</i>	10
<i>Reversing the Door Swing of Your Appliance</i>	11
<i>Installing the Stainless Steel Handle</i>	12
<i>Full Overlay Panel Installation Instructions</i>	12-13
<i>Operating Your Appliance</i>	14-17
<i>Control Panel</i>	14
<i>Interior Light</i>	15
<i>Sabbath Mode</i>	15
<i>Temperature Memory Function</i>	15
<i>Defrosting</i>	15
<i>Using the Freezer</i>	16
<i>Ice Maker</i>	16
<i>Temperature Alarm / Door Alarm</i>	16
<i>Door Lock</i>	16
<i>Shelves</i>	17
<i>Door Racks</i>	17
<i>Care and Maintenance</i>	18
<i>Cleaning Your Appliance</i>	18
<i>Power Failure</i>	18
<i>Vacations</i>	18
<i>Moving Your Appliance</i>	18
<i>Energy-Saving Tips</i>	18
<i>Troubleshooting</i>	19-20
<i>Limited Warranty</i>	22

APPLIANCE SAFETY

Your safety and the safety of others are very important.

We have provided many important safety messages in this manual and on your appliance. Always read and obey all safety messages.



This is the Safety Alert Symbol. The symbol alerts you to potential hazards that can kill or injure you and others. All safety messages will follow the Safety Alert Symbol and either the word DANGER or WARNING.



DANGER means that failure to heed this safety statement may result in severe personal injury or death.



WARNING means that failure to heed this safety statement may result in extensive product damage, serious personal injury, or death.

All safety messages will alert you about the potential hazard, tell you how to reduce the chance of injury, and let you know what can happen if the instructions are not followed.

IMPORTANT SAFEGUARDS



Before the appliance is used, it must be properly positioned and installed as described in this manual, so read the manual carefully. To reduce the risk of fire, electrical shock or injury when using the appliance, follow basic precautions, including the following:



- Plug into a grounded 3-prong outlet, do not remove the grounding prong, do not use an adapter, and do not use an extension cord.
- Replace all panels before operating.
- It is recommended that a separate circuit serving only your appliance be provided. Use receptacles that cannot be turned off by a switch or pull chain.
- **WARNING:** Never clean appliance parts with flammable fluids. These fumes can create a fire hazard or explosion. And do not store or use gasoline or other flammable vapors and liquids or explosive substances such as aerosol cans with a flammable propellant in this appliance or in the vicinity of this or any other appliance. The fumes can create a fire hazard or explosion.
- Do not connect or disconnect the electric plug when your hands are wet.
- Unplug the appliance or disconnect the power before cleaning or servicing. Failure to do so can result in electrical shock or death.
- Do not attempt to repair or replace any part of your appliance unless it is specifically recommended in this manual. All other servicing should be referred to a qualified technician.
- If the power cord is damaged, it must be replaced by the manufacturer, its service agent or similar qualified person in order to avoid a hazard.



Warning: Risk of Fire / Flammable Materials.



R600a

- This appliance is CFC- and HFC-free and contains small quantities of Isobutane (R600a) which is environmentally friendly, but flammable. It does not damage the ozone layer, nor does it increase the greenhouse effect. Care must be taken during transportation and setting up of the appliance so that no parts of the cooling system are damaged. Leaking coolant can ignite and may damage the eyes.
- In the event of any damage:
 - Avoid open flames and anything which creates a spark.
 - Disconnect from the power supply,
 - Air the room in which the appliance is located for several minutes and contact the Service Department for advice.
- The more coolant there is in an appliance, the larger the room it should be installed in. In the event of a leakage, if the appliance is in a small room, there is the danger of combustible gases building up. For every ounce of coolant, at least 325 cubic feet of room space is required. The amount of coolant in the appliance is stated on the data plate inside the appliance. It is hazardous for anyone other than an Authorized Service Person to carry out servicing or repairs to this appliance.
- Take serious care when handling, moving, and using the appliance to avoid either damaging the refrigerant tubing or increasing the risk of a leak.
- Replacing component parts and servicing shall be done by factory-authorized service personnel, so as to minimize the risk of possible ignition due to incorrect parts or improper service.
- This appliance is not intended for use by persons (including children) with reduced physical, sensory or mental capabilities, or lack of experience and knowledge, unless they have been given supervision or instruction concerning use of the appliance by a person responsible for their safety.
- Children should be supervised to ensure that they do not play with the appliance.

WARNING

FOLLOW THE WARNING CALLOUTS BELOW ONLY WHEN APPLICABLE TO YOUR MODEL

- Use two or more people to move and install the appliance. Failure to do so can result in back or other injuries.
- **WARNING:** Keep ventilation openings, in the appliance enclosure or in the built-in structure, clear of obstruction.
- **WARNING:** Do not use mechanical devices or other means to accelerate the defrosting process or to clean, other than those recommended by the manufacturer.
- **WARNING:** The appliance shall be stored in a room without continuously operating ignition sources (for example: open flames, an operating gas appliance or an operating electric heater).
- **WARNING:** Do not pierce or burn. Do not damage the refrigerant circuit.
- **WARNING:** Be aware that refrigerants may not contain an odor.
- **WARNING:** Do not use electrical appliances inside the food storage compartments of the appliance, unless they are of the type recommended by the manufacturer.
- **WARNING:** To avoid a hazard due to instability of the appliance, it must be fixed in accordance with the instructions.
- **WARNING:** When positioning the appliance, ensure the supply cord is not trapped or damaged.
- **WARNING:** Do not locate multiple portable socket-outlets or portable power supplies at the rear of the appliance.
- **WARNING:** Danger of injury from LED lamp. If the cover is defective: do not look directly into the illumination with optical lenses from close proximity. The eyes can be injured.
- **CAUTION:** Use this appliance only for its intended purpose. This equipment is intended for the storage and display of packaged products only.
- To ensure proper ventilation for your appliance, the front of the unit must be completely unobstructed. Choose a well-ventilated area with temperatures above 44°F (7°C) and below 90°F (32°C).
- The appliance should not be located next to ovens, grills, or other sources of high heat.
- The appliance must be installed with all electrical, water, and drain connections in accordance with state and local codes. A standard electrical supply (115 V AC only, 60 Hz), properly grounded in accordance with the National Electrical Code and local codes and ordinances, is required.
- Do not kink or pinch the power supply cord of the appliance.

- The size of the fuse (or circuit breaker) should be 15 amperes.
- It is important that the appliance be leveled in order to work properly. You may need to make several adjustments to level it.
- All installations must be in accordance with local plumbing code requirements.
- Make certain that the pipes are not pinched, kinked, or damaged during installation.
- Check for leaks after connection.
- Never allow children to operate, play with or crawl inside the appliance.
- Do not use solvent-based cleaning agents or abrasives on the interior. These cleaners may damage or discolor the interior.
- Use this appliance only for its intended purpose as described in this *Instruction Manual*.
- Keep fingers out of the “pinch point” areas. Clearances between the door and cabinet are necessarily small. Be careful closing the door when children are in the area.
- This appliance is intended to be used in household and similar applications such as:
 - staff kitchen areas in shops, offices and other working environments
 - farmhouses and by clients in hotels, motels, and other residential type of environments
 - bed and breakfast type environments
 - catering and similar non-retail applications

- SAVE THESE INSTRUCTIONS -

Electrical Connection



WARNING

Improper use of the grounded plug can result in the risk of electrical shock. If the power cord is damaged, have it replaced by a qualified electrician or an authorized service center.

This appliance should be properly grounded for your safety. The power cord of this appliance is equipped with a three-prong plug which mates with standard three-prong wall outlets to minimize the possibility of electrical shock.

Do not under any circumstances cut or remove the third (grounded) prong from the power cord supplied. For personal safety, this appliance must be properly grounded. Any questions concerning power and/or grounding should be directed toward a certified electrician or an authorized service center.

This appliance requires a standard **115/120 Volt AC ~ 60Hz** three-prong grounded electrical outlet. Have the wall outlet and circuit checked by a qualified electrician to make sure the outlet is properly grounded. When a standard 2-prong wall outlet is encountered, it is your responsibility and obligation to have it replaced with a properly grounded 3-prong wall outlet.

To prevent accidental injury, the cord should be secured behind the appliance and not left exposed or dangling.

The appliance should always be plugged into its own individual electrical outlet which has a voltage rating that matches the rating label on the appliance. This provides the best performance and also prevents overloading house wiring circuits that could cause a fire hazard from overheating. Never unplug the appliance by pulling on the power cord. Always grip the plug firmly and pull it straight out from the receptacle. Repair or replace immediately all power cords that have become frayed or otherwise damaged. Do not use a cord that shows cracks or abrasion damage along its length or at either end. When moving the appliance, be careful not to damage the power cord.

Extension Cord

Because of potential safety hazards under certain conditions, it is strongly recommended that you do not use an extension cord with this appliance. However, if you must use an extension cord, it is absolutely necessary that it be a UL/CUL-Listed, 3-wire grounding type appliance extension cord having a grounding type plug and outlet and that the electrical rating of the cord is 115 volts and at least 10 amperes.

DISPOSAL

Dispose of your appliance packaging properly. Ensure that any plastic wrappings, bags, etc., are disposed of safely and kept out of the reach of babies and young children. **Danger of suffocation!**

Refrigeration equipment must be properly disposed of in a professional and appropriate way, in accordance with the current local regulations and laws which protect the environment. This applies to your old appliance and to your new unit once it has reached the end of its service life.

WARNING: Please ensure that old, worn appliances are rendered unusable before disposal by removing the doors, removing the plug, cutting the network cable, and removing or destroying any snap fastenings or bolts. Leave shelving in place. You will thus prevent children from locking themselves in the appliance during play (risk of suffocation) or endangering their lives in any other way. DO NOT dispose of the appliance in landfill as the insulation (Cyclopentane) and refrigerant gas (R600a) contained in these appliances are flammable.

Disposal instructions:

- The appliance must not be disposed of in the dustbin or with normal household rubbish.
- The coolant circuit, particularly the heat exchanger at the back/bottom of the unit, must not be damaged.
- The appliance is not to be handled as normal household waste but is to be taken to a recycling collection point for electrical and electronic goods. By correctly disposing of this product, you are contributing to the protection of the environment and to the health of your fellow human beings. Improper disposal endangers health and the environment. Further information about the recycling of the product may be obtained from your town hall, refuse collection department or the store where you purchased the product.



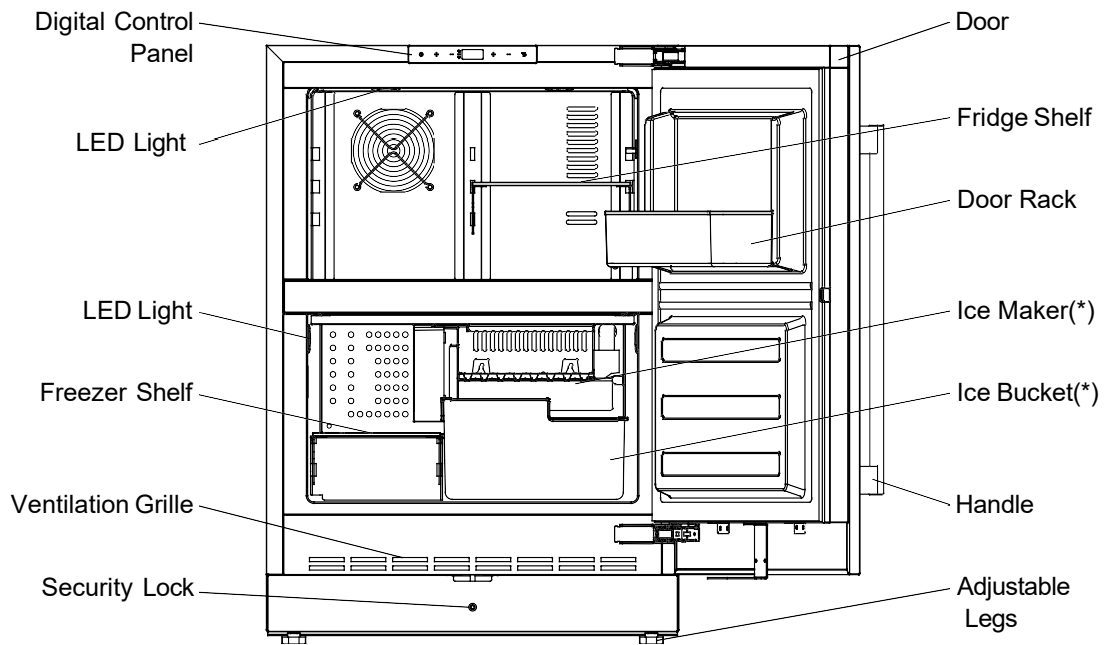
Risk of child entrapment!

Child entrapment and suffocation are not problems of the past. Junked or abandoned appliances are still dangerous, even if they will “just sit for a few days.”

Before you throw away your old refrigerator or freezer:

- *Take off the doors*
- *Leave the shelves in place so that children may not easily climb inside.*

LOCATION OF PARTS



(*) Only available for models with ice maker.

INSTALLATION INSTRUCTIONS

Before Using your Appliance

- Remove the exterior and interior packing.

CAUTION: After unpacking you **MUST** allow this appliance to stand upright for at least 2 hours to allow the lubricant and refrigerant to drain back into the compressor and stabilize. Failure to do so may adversely affect performance and the lifetime of this unit.

- Clean the interior surface with lukewarm water using a soft cloth.
- Install the handle on the door. (See Installing the Stainless Steel Handle.)

Installation of your Appliance

CAUTION: This appliance is designed for storing and cooling fresh food, beverages, and drinks. Do not store perishable food, medicine, or other medical products.

- The appliance is designed for built-in, recessed, or free-standing installation for indoor use only.

NOTE: Do not store or install the appliance outdoors for models with indoor use only.

- Place your appliance on a floor that is strong enough to support it when it is fully loaded. To level the unit, adjust the front leveling legs.
- For freestanding installation, leaving 5" (127mm) of space at the back and sides of the unit and 4" (102mm) at the top is suggested, which allows the proper air circulation to cool the compressor and condenser to save energy. For built-in installation, it is better to leave at least ¼" (5mm) of space on each side, 1" (25mm) at the back, and ⅛" (3mm) at the top to ensure proper service access and ventilation. And the air vent at the front of the appliance must never be covered or blocked in any way.

CAUTION: Ensure that the socket and ON/OFF switch are easily accessible after the appliance has been installed.

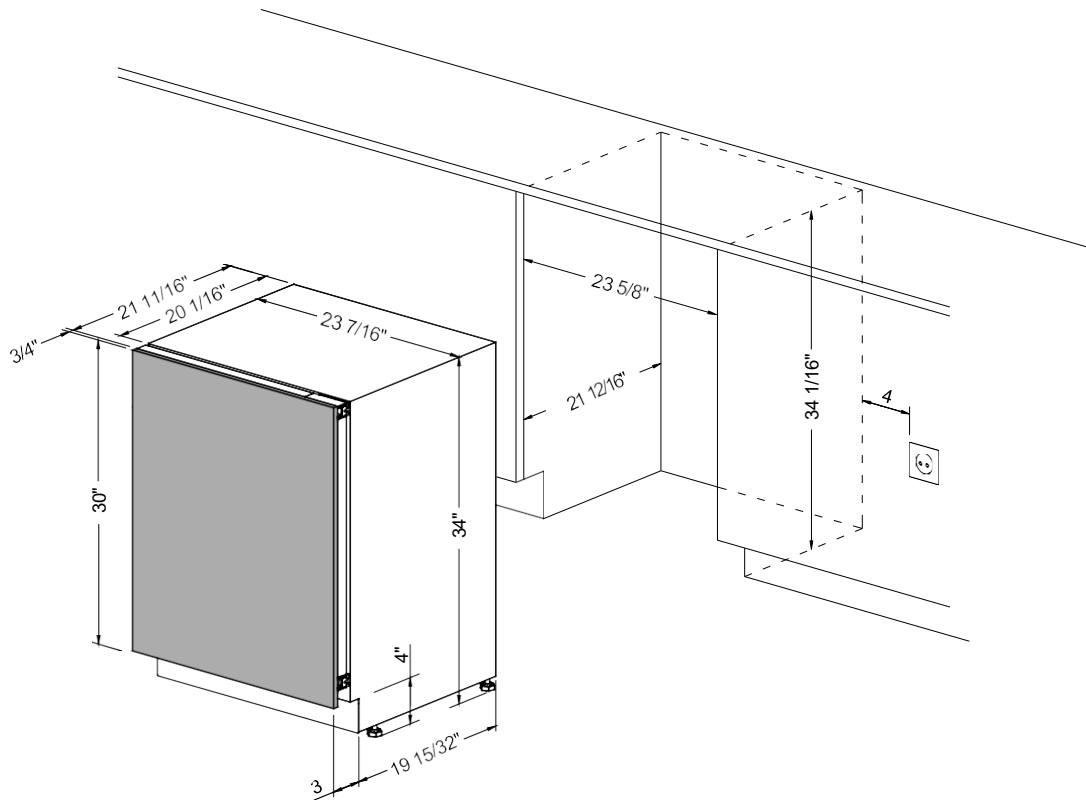
- Avoid installing the unit in a moist area.
- Plug the appliance into an exclusive, properly grounded wall outlet. Do not under any circumstances cut or remove the third (ground) prong from the power cord. Any questions concerning power and/or grounding should be directed toward a certified electrician or an authorized service center.

NOTE: It is recommended that you do not install the appliance near an oven, radiator, or other heating sources. Direct sunlight may affect the acrylic coating and heat sources may increase electrical consumption. Do not install in a location where the temperature will fall below 60°F (16°C). For best performance, do not install the appliance behind a cabinet door or block the base grille.

Built-in Under-counter Instructions

Ensure your installation does not block the ventilation grille. The unit is designed to fit under worktops.

NOTE: When sliding the appliance into the cutout, make sure that the main cable does not get trapped.

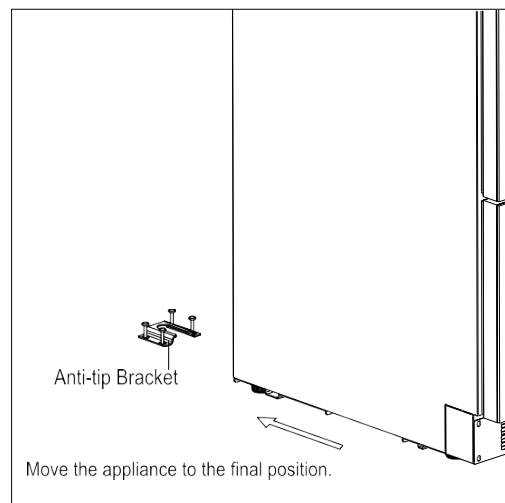
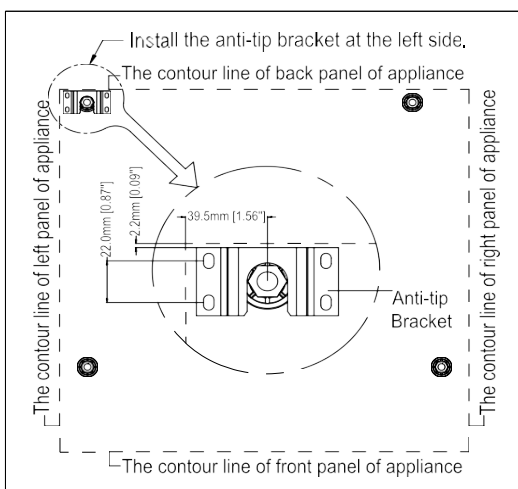


Anti-tip Bracket Installation

To reduce the risk of tipping the unit by abnormal usage or improper loading, the appliance must be secured by properly installing the anti-tip device packed with the appliance.

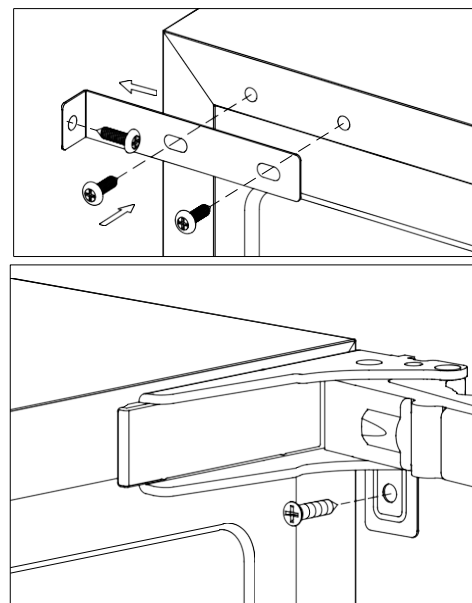
1. Place the anti-tip bracket on the floor as shown in the figure below. The anti-tip bracket must be installed on the left side.
2. Mark the locations of the 4 holes of the anti-tip bracket on the floor.
3. Use a 5/16" masonry drill bit and insert plastic anchors.
4. Secure the bracket onto the floor using screws.
5. Slide the appliance into position ensuring the leg engages the anti-tip bracket.

NOTE: If the unit is relocated, the bracket must be removed and reinstalled in the new location.



Securing the Appliance

Pop out the cover cap on the opposite side of the hinge and secure the appliance in the niche by tightening the screws through the attachment bracket if the unit is provided with an attachment bracket.



Connecting to the Water Supply



Improper water line connection may result in flooding. You must use a licensed plumber. Review state and local plumbing codes before installation.

- Prepare water supply line before installation for models with ice maker. Installation requires a ¼" ID copper cold water line and compression fitting (not supplied).
- **All the necessary hardware is not provided so it is necessary to hire a professional licensed plumber to complete the installation.**
- Connect the water line to the nearest cold water source. Leave sufficient coiled copper tubing to the unit to allow the unit to be pulled out of the cabinet or away from the wall for cleaning and service. Also make sure that the tubing is not pinched or damaged during the transportation.

WARNING: Connect to potable water supply only.

IMPORTANT NOTE:

- Water lines cannot be exposed to freezing temperatures.
- This appliance is intended to be permanently connected to the water mains and not connected by a hose-set.
- The water temperature must be between **41°F - 90°F** (5°C - 32°C).
- The water pressure must be between **20 - 80** psig (138 - 552kPA).

Reversing the Door Swing of your Appliance

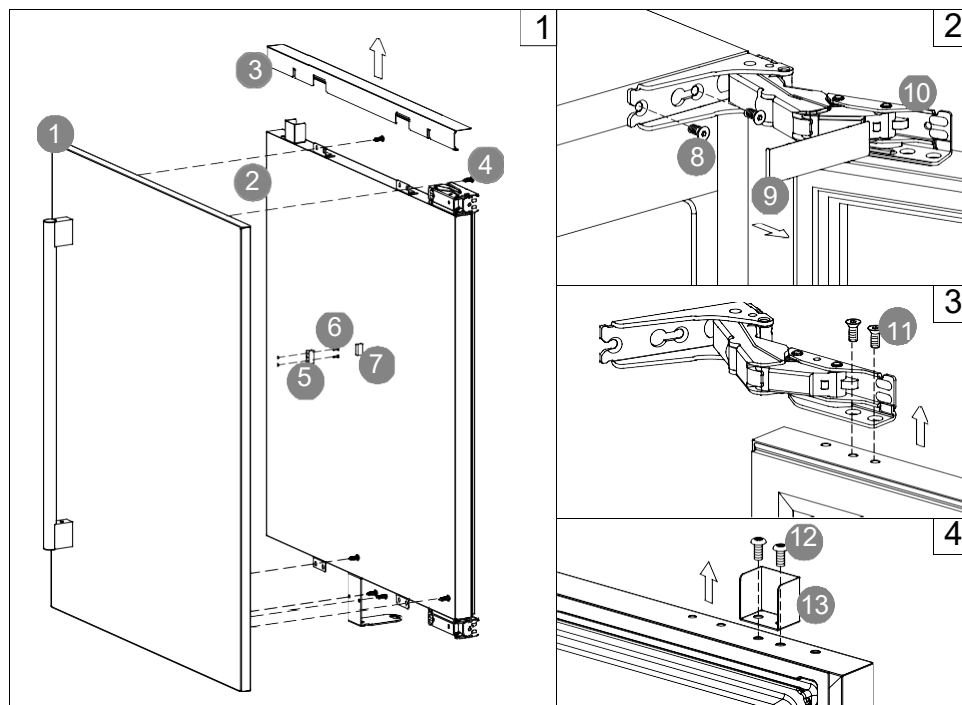
This unit has the capability of the door opening from either the left or right side. The unit is delivered to you with the door opening from the left side. Should you desire to reverse the opening direction, please follow the reversal instructions shown below.

NOTE: All parts removed must be saved to allow the door swing to be reversed.



WARNING

Use extreme caution with the articulated hinges. The hinge is self-closing, and many pinch points exist prior to built-in installation.

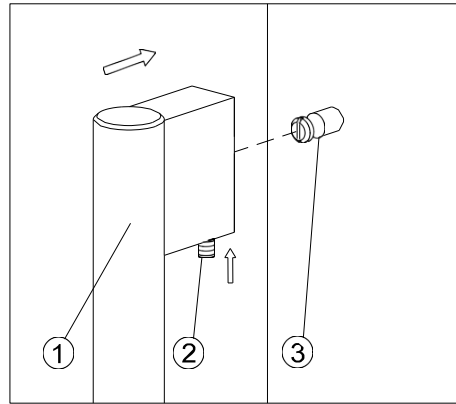


1. Open the door. Pull the top decoration cover (3) upward to remove it. **(Figure 1)**
2. Remove the door panel by unscrewing the six screws (4). Hold the door panel firmly after removing the screws and place it on a padded surface to avoid the risk of damage. **(Figure 1)**
3. Pull to remove the silicone cushion (7). Unscrew and transfer the cushion base (5) to the opposite side of door. Then re-install the silicone cushion (7). **(Figure 1)**
4. Remove the hinge covers (9) and then remove the door by unscrewing the four screws (8). Hold the door firmly after removing the screws and place it on a padded surface to avoid the risk of damage. Leave the hinges open. **(Figure 2)**
5. Pop out the cover caps on the left side of the cabinet and use them to cover the screw holes on the right-hand side.
6. Unscrew the four screws (11) to remove the top and bottom articulated hinges. **(Figure 3)**
7. Unscrew the two screws (12) and transfer the retaining bracket (13) to the opposite side of the door. **(Figure 4)**
8. Refit the articulated hinges to the opposite side of the door by using the four screws (11). (Repeat step 6 in reverse.)
9. Relocate the door to the opposite side. Then screw and tighten it after the door is leveled. (Repeat step 4 in reverse.)
10. Rotate the door panel 180° and fix the door panel to the designated position (Repeat step 2 in reverse.)
11. Refit the alternative top decoration cover included in the fittings on the top of door.

Installing the Stainless Steel Handle

This appliance includes a stainless steel handle that is not required to operate the unit. To install the handle, follow the instructions below:

Place the handle (1) over the mounting stub (3) of the door and using the supplied Allen key, tighten the securing grub screws (2) to affix the handle.

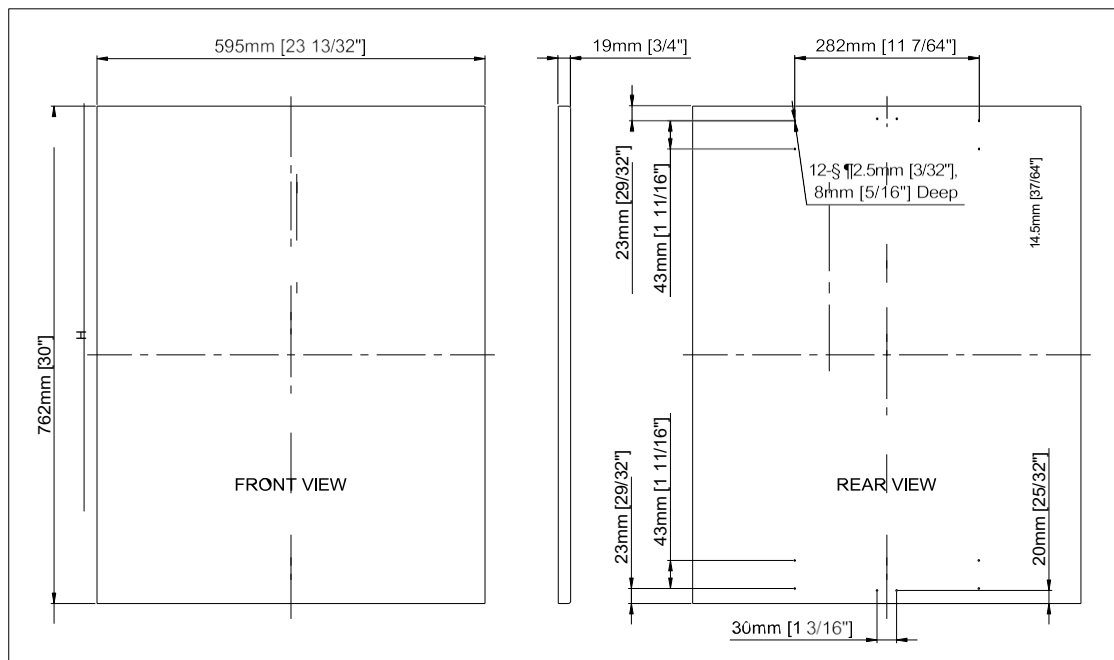


Full Overlay Panel Installation Instructions

An overlay panel covers the door to give an integrated appearance. The overlay panel and appropriate hardware are not included with the unit and the end user needs to provide it. Please follow the instructions below for installation:

Door Panel Preparation

Prepare the overlay panel to the dimensions as per the descriptions given below. Then attach the handle to the overlay panel by using the flat head screws and drive the screws flush with the panel.



NOTE:

1. The weight of the overlay panel should not exceed **15 lbs (7 kgs)**.
2. It is important to ensure that all drilled holes are drilled to the correct depth to avoid splits in the wood when the hardware is installed.
3. Drill the handle installation holes in the overlay panel to match the handle you plan to use. If reusing the original handles supplied with the unit, drill two holes in the overlay panel, spaced **19 1/4" (490 mm)** apart, each with a diameter of **3/16" (5 mm)**.

Door Panel Installation

Installing the Handle on the Overlay Panel

If reusing the handle that came with the unit:

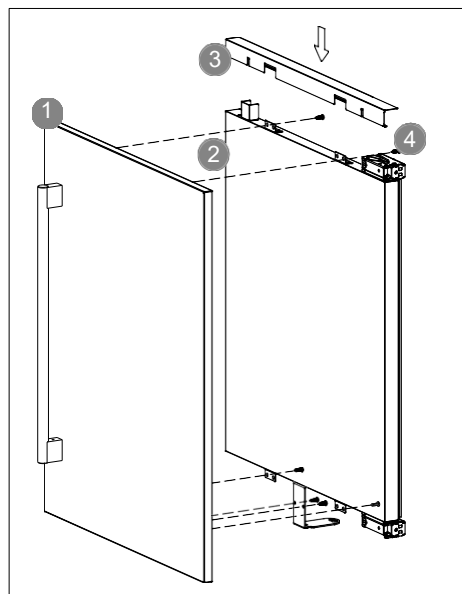
1. Unscrew the studs located on the front face of the door and set them aside for later use.
2. Remove the screws from the door and proceed to mark their positions on the overlay panel by using the handle as a guide.
3. Use a 3/16" (5mm) drill bit to make the holes on the overlay panel for the screws.
4. Insert the screws, ensure the head of the screw is flush with the surface of the panel (use a countersink screws if necessary).
5. Take the studs you saved in **Step 1** and screw them back. They are now projecting from the face of the panel.
6. Place the handle over the mounting studs and, using the supplied Allen key, tighten the securing grub screws to fix the handle. Refer to "Installing a Stainless Steel Handle".

If using a customer supplied handle(s):

1. Attach the handle to the overlay panel by using flat head or countersunk screws.
2. Unscrew the studs located on the front face of the door and save them for later possible use.

Installing the Overlay Panel

1. Open the door and pull the top decoration cover upward to remove it.
2. Remove the original stainless steel door panel by unscrewing the six screws (4). Hold the door panel firmly after removing the screws and store it for potential future use. Refer to "Reversing the Door Swing of Your Appliance".
3. Fix the overlay panel to the designated position by the six screws (Repeat step 2 in reverse.).
4. Refit the top decoration cover.



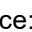
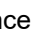
OPERATING YOUR APPLIANCE

It is recommended you install the appliance in a place where the ambient temperature is between 44°F and 90°F (7°C and 32°C). If the ambient temperature is above or below the recommended temperatures, the performance of the unit may be affected. For example, placing your unit in extremely cold or hot conditions may cause interior temperatures to fluctuate. The optimal temperature range may not be reached.

Control Panel



ON/OFF POWER

To power on the appliance: Press and hold the  key for 1 second until temperature display lights up.
To power off the appliance: Press and hold the  key for 5 seconds until the temperature display goes out.

UP

To increase (warm) the set temperature by 1°C or 1°F.

DOWN

To decrease (cool) the set temperature by 1°C or 1°F.

°F/°C Selector

Set the temperature to be displayed in degree Fahrenheit or degree Celsius.

Indicator Light

The indicator light is the dot located at the bottom right corner of the display. The indicator light will be on when a multi-key function is selected. To perform a multi-key function, press and hold the first key, then touch the second key for at least 5 seconds and then release both keys.

Setting the Temperature Control

- The unit has two separate temperature compartments. You can set the temperature for the top and bottom compartments.
 - Bottom Compartment (freezer):
 - The temperature is preset to **0°F** (-18°C)
 - Press the **UP** and **DOWN** keys on the left side.
 - The temperature range is from **-11°F to 11°F** (-24°C to -12°C)
 - Top Compartment (refrigerator):
 - The temperature is preset to **38°F** (3°C)
 - Press the **UP** and **DOWN** keys on the right side.
 - The temperature range is from **36°F – 43°F** (2°C - 6°C)
- When you press the **UP** and **DOWN** keys for the first time, the LED readout will show the previously set temperature.
- To view the set temperature at any time, touch the **UP** or **DOWN** symbol. The set temperature will temporarily flash in the display window for 5 seconds. Then the display shows the current inner temperature again.

NOTES:

- If the unit is unplugged or power is lost or turned off, you must wait 3 to 5 minutes before restarting the unit. If you attempt to restart before this time delay, the unit will not start.
- When you use the unit for the first time or restart the unit after it has been shut off for a long time, there could be a few degrees variance between the temperature you select, and the one indicated on the LED readout. This is normal and is due to the length of the activation time. There should not be a problem once the unit has been running for a few hours.

Interior Light

The unit is equipped with interior LED lights which will turn ON when a door is opened. LED- type lights are designed for extremely long life. They are not user serviceable. To change them, contact the service department.

NOTE: Use the original LED light fittings provided by the manufacturer.

Sabbath Mode

Sabbath mode is available for the observance of certain religious holidays. This mode turns off the displays, interior light, and audible alarms and prevents them from turning on again. Normal cooling operations will still take place.

To initiate Sabbath mode, press the **POWER** and **°C/F** keys at the same time for at least 5 seconds. The temperature display will go out to confirm that the Sabbath mode is ON.

Sabbath mode can be canceled by repeating the above process. The Sabbath Mode will automatically turn off after 96 hours.

CAUTION: For models with ice maker, switch the ice maker off when initiating the Sabbath mode.

Temperature Memory Function

In the event of a power interruption (power surge, breaker switch, etc.), the unit can remember the previous temperature settings, and when the power is recovered, the cabinet temperature will return to the same setting temperature as before the power went off.

Defrosting

- The unit defrosts automatically in normal operating conditions.
- The evaporator behind the rear wall of the unit defrosts automatically. The condensate collects in the drainage channel behind the rear wall of the unit and flows through the drainage hole into the drip tray by the compressor where it evaporates.
- However, frost may accumulate on the evaporator if the unit is repeatedly opened in a high heat or high humidity location. If this frost pattern does not clear within 24 hours, your unit will require manual defrosting.

Using the Freezer

- The freezer is designed for the long-term storage of frozen food. Storage time is up to three months.
- The storage life of frozen foods varies, and the recommended storage time should not be exceeded.
- Pre-packaged commercially frozen food should be stored in accordance with the frozen foods manufacturer's instructions for a three-star frozen food storage compartment or home freezer.
- Place frozen food into the freezer as quickly as possible after purchase. If there are instructions on the packet, carefully follow these instructions regarding storage times.

Ice Maker (if available)

Ensure the water supply is ON and lower the metal arm on the ice maker to its ON position. As soon as the inner mechanism reaches the proper temperature, the ice maker will fill the mold with water. The first cubes may be small because of air in the water line. Later cubes will be of standard crescent moon type size.

For first time use:

- Let the ice maker make ice for 1-2 days.
- Discard the first 2-3 batches of ice to remove the impurities in the water supply system.

When the ice bucket is full, the ice making mechanism will automatically shut off.

Ice delivery may be interrupted by raising the metal arm to the OFF position.

If the ice maker is not used regularly, it is recommended that the ice bucket be emptied periodically to ensure fresh ice.

Temperature Alarm / Door Alarm

- An audible alarm sounds if the storage temperature is not cold enough. The temperature display flashes at the same time.
- The cause of the temperature being too high may be:
 - Warm fresh food was placed inside
 - Too much warm ambient air flowed in when rearranging and removing food
 - Power failure for some time
 - The appliance is faulty
- The audible alarm is automatically silenced, and the temperature display stops flashing when the temperature is sufficiently cold again.
- If the door has been left open for more than 60 seconds, the alarm will sound. Pressing the POWER key once can switch off the audible alarm.

Door Lock

Your unit is provided with a lock and key combination.

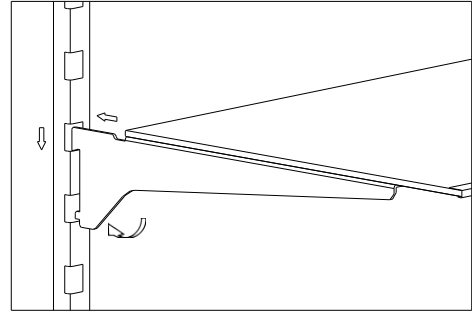
The keys are located inside the plastic bag that contains the *Instruction Manual*. Insert the key into the lock and turn it counterclockwise to unlock the door. To lock the door, do the reverse operation, making sure the metal pin is engaged completely. Remove the key and put it in a secure place for safekeeping.

Cantilevered Shelves

Any of the shelves can be removed to store larger items.

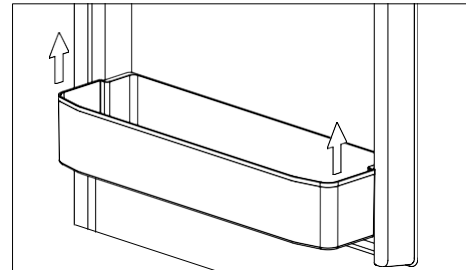
- When removing the shelf, make sure to have the door all the way open and remove all items first. Hold the front of the shelf, and then gently lift up and move out toward you.
- In order to replace the shelf, hold the shelf at an angle so the front is higher than the back, and then insert the top hook into the notch of clip-in strip. Then, lower the shelf and insert the bottom shelf hook into the notch of clip-in strip.

CAUTION: When removing or replacing the shelf, use caution not to scratch the sides of the unit.



Door Rack

To remove, lift it up and then pull out straight.



CARE AND MAINTENANCE

Cleaning your Appliance

- Turn off the power, unplug the appliance, and remove all items, including shelves.
- Wash the inside surfaces with a solution of warm water and baking soda (about 2 tablespoons of baking soda to a quart of water).
- Wash the shelves with a mild detergent solution.
- Wring excess water out of the sponge or cloth when cleaning the area where the controls are located, or any electrical parts.
- Wash the outside cabinet with warm water and mild liquid detergent. Rinse well and wipe dry with a clean, soft cloth.
- Use an approved stainless steel cleaner to clean the doors and handles. Do not use steel wool or a steel brush on the stainless steel.

CAUTION: Failure to unplug the appliance during cleaning could result in electrical shock or other personal injuries.

Power Failure

Most power failures are corrected within a few hours and should not affect the temperature of your appliance if you minimize the number of times the doors are opened. If the power is going to be off for a longer period of time, you need to take the proper steps to protect the contents.

Vacations

- **Short vacations:** Leave the appliance operating during vacations of less than three weeks.
- **Long vacations:** If the appliance is not used for several months, remove all items and turn off the appliance. Clean and dry the interior thoroughly. To prevent odor and mold growth, leave the doors open slightly, blocking them open if necessary.

Moving your Appliance

1. Remove all the items.
2. Securely tape down all loose items (shelves) inside the appliance.
3. Turn the adjustable legs up to the base to avoid damage.
4. Tape the doors shut.
5. Be sure the appliance stays secure in the upright position during transportation. Also, protect the outside of the appliance with a blanket or similar item.

Energy-Saving Tips

- The appliance should be located in the coolest area of the room or outdoor location, away from heat-producing appliances and out of direct sunlight.
- Ensure that the unit is adequately ventilated. Never cover air vents.
- Do not keep the doors open any longer than necessary.
- Let hot foods cool to room temperature before placing in the unit. Overloading the unit forces the compressor to run longer.
- Be sure to wrap foods properly, and wipe containers dry before placing them in the unit. This cuts down on frost build-up inside the unit.
- Unit shelves and storage bins should not be lined with aluminum foil, wax paper, or paper toweling. Liners interfere with cold air circulation, making the unit less efficient.
- Organize and label food to reduce door openings and extended searches. Remove as many items as needed at one time and close the door as soon as possible.

TROUBLESHOOTING

You can solve many common problems easily, saving you the cost of a possible service call. Try the suggestions below to see if you can solve the problem before calling the servicer.

PROBLEM	POSSIBLE CAUSE	REMEDY
<i>Appliance does not operate.</i>	<i>Appliance is not connected to a power supply. The appliance is turned off. Tripped circuit breaker or blown fuse</i>	<i>Connect the appliance. Switch on the appliance. Switch on circuit breaker or replace fuse.</i>
<i>Appliance is not cold enough.</i>	<i>The temperature is not set correctly. The ambient temperature could require a lower temperature setting. Drawers were opened too often. A drawer was not closed completely. Drawer is not hermetically sealed. The condenser is too dirty. The ventilation opening is blocked or too dusty.</i>	<i>Check the set temperature. Set a lower temperature. Do not open drawers more often than necessary. Close drawer properly. Check the seal and clean or replace. Clean the condenser when necessary. Clear the obstructions and clean off the dust.</i>
<i>Appliance turns itself on and off frequently.</i>	<i>The room temperature is higher than average. A large amount of food has been added to the unit. Drawers are opened too often. A drawer is not closed completely. A drawer gasket does not seal properly.</i>	<i>Put the appliance in a cooler place. Leave the appliance to work for a while until the set temperature has been reached. Do not open the drawers more often than necessary. Close drawer properly. Check the drawer seal and clean or replace it.</i>
<i>The light does not work.</i>	<i>Appliance is not connected to a power supply. Tripped circuit breaker or a blown fuse. The light was switched off on the control panel.</i>	<i>Connect the appliance. Switch on circuit breaker or replace fuse. Switch on the light.</i>
<i>Vibrations</i>	<i>The appliance is not properly leveled.</i>	<i>Level the appliance with the adjustable feet.</i>
<i>The appliance seems to make too much noise.</i>	<i>The rattling noise may come from the flow of the refrigerant, which is normal. As each cycle ends, you may hear gurgling sounds caused by the flow of refrigerant in your appliance. If temperature fluctuations occur, the contraction and expansion of the inner walls may cause popping and crackling noises.</i>	
	<i>The appliance is not properly leveled.</i>	<i>Level the appliance with the adjustable feet.</i>
	<i>One or more of the following sounds is heard: - Buzzing - Trickling water - Thud (clatter of ice)</i>	<i>The water valve is operating. Water is entering the icemaker to fill cup. Ice is being dumped into the ice bin.</i>
<i>Drawers will not close properly.</i>	<i>The appliance is not properly leveled. The gaskets are dirty. The racks or bins are out of position.</i>	<i>Level the appliance with the adjustable feet. Clean the drawer gaskets. Check the racks and bins and refit correctly.</i>

Display "E0", "E1", "E2", "E3", "E4", "E5" or "E7".	"E0" indicates a communication error for 3 zone models. "E1" or "E2" indicates that the air temperature sensor has failed. "E3" or "E4" indicates that the defrost sensor in the evaporator has failed. "E5" indicates defrost heater failure. "E7" indicates door switch failure.	Call for service.
The alarm sounds and the temperature display flashes.	Has a drawer been open for longer than 60 seconds? If not, then the temperature has risen higher or fallen lower than the temperature that has been set. This could be due to: The appliance drawers being opened too often. The ventilation opening being covered or too dusty. A lengthy interruption in the power supply. A large amount of food has been added to the unit.	If yes, close the drawer. Do not open drawers more often than necessary. Clear the obstructions and clean off the dust. Leave the appliance to work for a while until the set temperature has been reached.
The icon "--" is lit and flashing in the temperature display.	The display temperature is out of range.	Only temperatures within the range 16~99°F/-9~37°C for refrigerators and the range -99~99°F/-73~37°C for freezers can be displayed. If the temperature is not within this range, the icon "--" will be displayed instead. This is normal.
Ice tastes stale.	The ice is old.	Make a new batch.
Water in icemaker overflows	Refrigerator or icemaker is not level. If the icemaker still overflows after leveling.	Level the appliance with the adjustable feet. Water pressure must be 20-80 psi. Turn off the icemaker's water supply at the shut-off valve and raise the icemaker's bail arm to the "off" position (see previous page); then contact your local service center.
Not enough ice.	It will take 48 hours to fill the ice bucket. The icemaker will make ice every 2 to 3 hours.	For more ice, adjust the freezer control to a colder setting.
Ice making has stopped.	Be sure that the bail arm is lowered to its ON position. Make sure that the water shut-off valve is open. The water shut-off valve or the water valve screen is clogged.	Contact your local service center.

If you have checked the information above and you still need help with your appliance, call our Customer Service facility at **800-932-4267** (Ext. **513**) between 9:00 AM and 5:00 PM ET or visit our website summitappliance.com/support at any time. We will do our best to answer your questions.

To order replacement parts, visit our website: summitapplianceparts.com

NOTES

CALIFORNIA CARB/SNAP DISCLOSURE

This product uses eco-friendly hydrocarbon refrigerant and fully complies with California CARB regulations.

However, we are required by California Law to provide the following disclosure statement in every product sold in California.

"This equipment is prohibited from use in California with any refrigerants on the 'List of Prohibited Substances' for that specific end-use, in accordance with California Code of Regulations, title 17, section 95374. This disclosure statement has been reviewed and approved by Felix Storch, Inc. and Felix Storch, Inc. attests, under penalty of perjury, that these statements are true and accurate."

This product does **not** use any refrigerants on the 'List of Prohibited Substances'"

LIMITED WARRANTY

ONE-YEAR LIMITED WARRANTY

Warranty coverage is available within the 48 contiguous United States, along with select areas of Alaska, Hawaii, and Canada. For locations not covered, consumers can either contact a local provider or coordinate with Felix Storch, Inc. to find nearby service options, which may qualify for partial reimbursement.

The warranty for this appliance is valid for one year from the date of purchase, provided the appliance is operated and maintained according to the instructions included with the product. The warrantor will cover the cost of factory-specified parts and repair labor needed to correct defects in materials or workmanship. Service must be performed by a designated service company.

All parts, except the compressor, are warranted for one year against manufacturing defects. Plastic parts, shelves, and cabinets are produced to commercially acceptable standards but are not covered for damages incurred during handling or for breakage.

5-YEAR COMPRESSOR WARRANTY

1. The compressor is covered for 5 years.
2. Replacement does not include labor.

ITEMS WARRANTOR WILL NOT PAY FOR:

1. Service calls to correct the installation of your appliance, to instruct you how to use your appliance, to replace or repair fuses or to correct wiring or plumbing.
2. Service calls to repair or replace appliance light bulbs or broken shelves. Consumable parts (such as filters) are excluded from warranty coverage.
3. Damage resulting from accident, alteration, misuse, abuse, fire, flood, acts of God, improper installation, installation not in accordance with electrical or plumbing codes, or use of products not approved by warrantor.
4. Replacement parts or repair labor costs for units operated outside the 48 contiguous United States, along with select areas of Alaska, Hawaii, and Canada.
5. Repairs to parts or systems resulting from unauthorized modifications made to the appliance.
6. Expenses for travel and transportation for product service in remote locations.
7. The removal and reinstallation of your appliance if it is installed in an inaccessible location or is not installed in accordance with published installation instructions.

DISCLAIMER OF IMPLIED WARRANTIES; LIMITATION OF REMEDIES

CUSTOMER'S SOLE AND EXCLUSIVE REMEDY UNDER THIS LIMITED WARRANTY SHALL BE PRODUCT REPAIR AS PROVIDED HEREIN. IMPLIED WARRANTIES, INCLUDING WARRANTIES OF MERCHANTABILITY OR FITNESS FOR A PARTICULAR PURPOSE, ARE LIMITED TO ONE YEAR. WARRANTOR SHALL NOT BE LIABLE FOR INCIDENTAL OR CONSEQUENTIAL DAMAGES. SOME STATES DO NOT ALLOW THE EXCLUSION OR LIMITATION OF INCIDENTAL OR CONSEQUENTIAL DAMAGES, OR LIMITATIONS ON THE DURATION OF IMPLIED WARRANTIES OF MERCHANTABILITY OR FITNESS, SO THESE EXCLUSIONS OR LIMITATIONS MAY NOT APPLY TO YOU. THIS WARRANTY GIVES YOU SPECIFIC LEGAL RIGHTS AND YOU MAY ALSO HAVE OTHER RIGHTS, WHICH VARY FROM STATE TO STATE.



WARNING: This product can expose you to chemicals including Nickel (Metallic) which is known to the State of California to cause cancer.

For more information go to www.P65Warnings.ca.gov

Note: Nickel is a component in all stainless steel and some other metallic compositions.

Felix Storch, Inc.
An ISO 9001:2015 registered company
770 Garrison Ave
Bronx, New York 10474
www.summitappliance.com

SUMMIT

For parts and accessory ordering,
troubleshooting and helpful hints, visit:
www.summitappliance.com/support

Revised 2025-08-11
Printed in China