



304 Stainless Steel Kitchenette Universal Side Guard

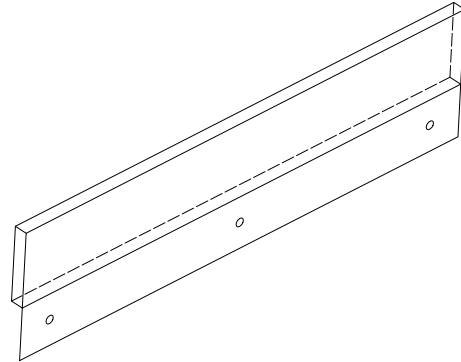
Installation Instructions

CKSIDEGUARD

The side guard protects the side wall from moisture, grease, and food splatter.

Included:

- Side Guard (1)
- Screws (2)



Before You Begin

IMPORTANT:

- Save these instructions for future reference.
- Observe all governing codes and ordinances.
- Remove all packing materials and literature from the side guard.
- DO NOT hang towels, fabrics, or any flammable materials on the side guard.

Installation

1. Locate the screws attached to the back of the side guard.
2. Position the side guard on the desired side of the kitchenette.
3. Secure the side guard through the mounting holes using the provided screws.

Use & Care

To maintain the look and performance of your side guard, follow these guidelines.

Cleaning & Maintenance:

- Clean regularly with soft, damp microfiber cloth and mild dish soap.
- For tougher buildup, use a non-abrasive stainless-steel cleaner.
- Always wipe along the grain of stainless steel to maintain a uniform finish.
- Dry with a microfiber cloth to prevent water spots.

Do Not:

- Do not use steel wool, scouring pads, or abrasive cleaners—these can scratch or dull the surface.
- Do not use chlorine bleach, strong acids, or harsh industrial solvents.

If you need help with your installation, call our Customer Service facility at **800-932-4267 (Ext. 513)** between 9:00 AM and 5:00 PM ET or visit our website summitappliance.com/support at any time. We will do our best to answer your questions.

To order replacement parts, visit our website: summitapplianceparts.com