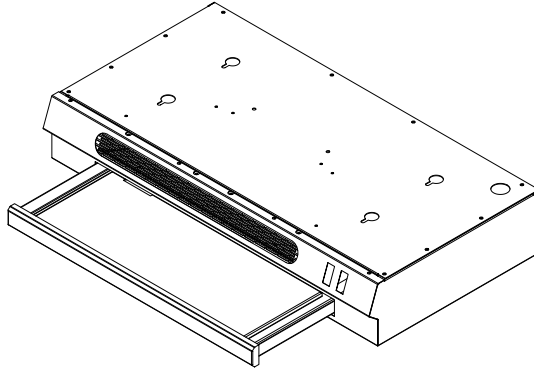




# RETRACTABLE RANGE HOOD

## User Manual



### Models:

HRTX18B	ADAHRTX18B	L18BHRT	LADA18BHRT
HRTX18W	ADAHRTX18W	L18WHRT	LADA18WHRT
HRTX18SS	ADAHRTX18SS	L18SSHRT	LADA18SSHRT
HRTX20B	ADAHRTX20B	L20BHRT	LADA20BHRT
HRTX20W	ADAHRTX20W	L20WHRT	LADA20WHRT
HRTX20SS	ADAHRTX20SS	L20SSHRT	LADA20SSHRT
HRTX24B	ADAHRTX24B	L24BHRT	LADA24BHRT
HRTX24W	ADAHRTX24W	L24WHRT	LADA24WHRT
HRTX24SS	ADAHRTX24SS	L24SSHRT	LADA24SSHRT
HRTX30B	ADAHRTX30B	L30BHRT	LADA30BHRT
HRTX30W	ADAHRTX30W	L30WHRT	LADA30WHRT
HRTX30SS	ADAHRTX30SS	L30SSHRT	LADA30SSHRT

*Model numbers with the PTC suffix indicate a hardwired power cord for the U.S. market, while those with the PTC2 suffix indicate a hardwired power cord for the Canadian market. \*\**

**BEFORE USE, PLEASE READ AND FOLLOW ALL SAFETY RULES AND OPERATING INSTRUCTIONS**

**Models:**

**Serial Number:**

**Felix Storch, Inc.**  
An ISO 9001:2015 registered company  
770 Garrison Avenue  
Bronx, New York 10474  
[www.summitappliance.com](http://www.summitappliance.com)

# TABLE OF CONTENTS

IMPORTANT SAFETY INSTRUCTIONS .....	1
EQUIPMENT SAFETY .....	2 - 4
INSTALLATION INSTRUCTIONS .....	5 - 6
OPERATING YOUR RANGE HOOD.....	7
REMOTE SWITCH INSTALLATION.....	8
CLEANING AND CARE .....	9 - 10
TROUBLESHOOTING .....	10
LIMITED WARRANTY.....	12

# IMPORTANT SAFETY INSTRUCTIONS

---

**APPROVED FOR RESIDENTIAL APPLIANCES FOR RESIDENTIAL USE ONLY**

**READ AND SAVE THESE INSTRUCTIONS**

**INSTALLATION MUST COMPLY WITH ALL LOCAL CODES.**

**IMPORTANT:** Save these Instructions for the Local Electrical Inspector's use.

**INSTALLER:** Please leave these Instructions with this unit for the owner.

**OWNER:** Please retain these instructions for future reference.

## SYMBOLS USED IN THIS MANUAL

**WARNING**



Hazards or unsafe practices that may result in severe personal injury or death.

**CAUTION**



Hazards or unsafe practices that may result in electric shock, personal injury, or property damage.

**NOTE**

Useful tips and instructions. These warning icons and symbols are here to prevent injury to you and others. Please follow them explicitly. After reading this section, keep it in a safe place for future reference.

---

For an electronic copy of the user manual, please visit our website: [www.summitappliance.com](http://www.summitappliance.com)

For Technical Support, contact: [techsupport@summitappliance.com](mailto:techsupport@summitappliance.com) or 1-800-932-4267 (Ext. 513)

---

***Read and save these instructions.***

# EQUIPMENT SAFETY

- **READ AND SAVE THESE INSTRUCTIONS.**
- **READ ALL INSTRUCTIONS BEFORE USING THE APPLIANCE.**
- Use this unit only in the manner intended by the manufacturer. If you have questions, contact the manufacturer.

## **WARNING!**

**TO REDUCE THE RISK OF FIRE, ELECTRIC SHOCK, OR INJURY TO PERSONS, OBSERVE THE FOLLOWING:**

- Installation work and electrical wiring must be done by qualified person(s) in accordance with all applicable codes and standards, including fire-rated construction.
- Sufficient air is needed for proper combustion and exhausting of gases through the flue (chimney) of fuel burning equipment to prevent back drafting. Follow the heating equipment manufacturer's guideline and safety standards such as those published by the National Fire Protection Association (NFPA), and the American Society for Heating, Refrigeration and Air Conditioning Engineers (ASHRAE), and the local code authorities.
- When cutting or drilling into wall or ceiling, do not damage electrical wiring and other hidden utilities.
- Before servicing or cleaning unit, switch power off at service panel and lock the service disconnecting means to prevent power from being switched on accidentally. When the service disconnecting means cannot be locked, securely fasten a prominent warning device, such as a tag to the service panel.
- Stay clear of the rotating fan when the motor is running.
- Do not use any accessories not recommended by the manufacturer.
- Do not use this appliance for commercial uses.
- Do not use this unit with any solid-state speed control device.
- Do not repair or replace any part of the appliance or attempt any servicing.

**NOTE:** If for any reason this product requires service, we strongly recommend that a certified technician perform the service.

## **WARNING!**

**TO REDUCE THE RISK OF A RANGE TOP GREASE FIRE:**

- Never leave surface units unattended at high settings. Boilovers cause smoking and greasy spillovers that may ignite. Heat oils slowly on low or medium settings.
- Always turn hood ON when cooking at high heat or when flambéing food (i.e. Crepes Suzette, Cherries Jubilee, Peppercorn Beef Flambe').
- Clean ventilating fans frequently. Grease should not be allowed to accumulate on fan or filter.
- Use proper pan size. Always use cookware appropriate for the size of the surface element.

## **CAUTION**

- For general ventilating use only. Do not use to exhaust hazardous or explosive materials and vapors.
- Your hood motor has a thermal overload which will automatically shut off the motor if it becomes overheated. The motor will restart when it cools down. If the motor continues to shut off and restart, have the hood serviced.



## COOKING SAFETY INFORMATION:

- Never leave the range hood unattended when in use. Never cook over open flames under the range hood.
- Always turn the range hood on when cooking at high heat or when cooking flaming foods.
- The installation distance above the range (D) is 24 in. (610 mm). Use extra caution as the surface of the range hood may become extremely hot to the touch if the range is operated on high power for an extended amount of time.
- Use caution when cooking with oil or with deep fryers. Overheating may cause oil to reach its flash point and ignite. Used oil will ignite at lower temperatures than fresh oil. Heat oils slowly on low to medium setting.
- Avoid boil overs, as they may cause smoking and greasy spillovers that could ignite.
- To prevent burns or fires, always use cookware appropriate to the size of the heating element that you are using.

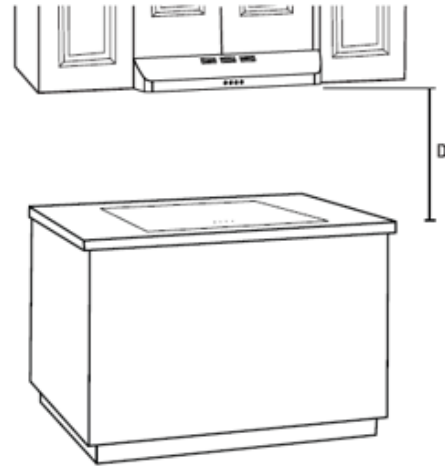


Fig. 1



### **WARNING- TO REDUCE THE RISK OF INJURY TO PERSONS IN THE EVENT OF A RANGE TOP GREASE FIRE. OBSERVE THE FOLLOWING\*:**

1. SMOTHER FLAMES with a close-fitting lid, cookie sheet, or metal tray, then turn off the burner. BE CAREFUL TO PREVENT BURNS. If the flames do not go out immediately. EVACUATE AND CALL THE FIRE DEPARTMENT.
2. NEVER PICK UP A FLAMING PAN — You may be burned.
3. DO NOT USE WATER, including wet dishcloths or towels – a violent steam explosion will result.
4. Use an extinguisher ONLY if:
  - a. You know you have a Class ABC extinguisher, and you already know how to operate it.
  - b. The fire is small and contained in the area where it started.
  - c. The fire department is being called.
  - d. You can fight the fire with your back to an exit.

**\*Based on “Kitchen Fire Safety Tips” published by NFPA.**



### **CLEANING SAFETY INFORMATION**

- The fan and filter must be cleaned periodically and kept free from the accumulation of cooking. Old, worn, or broken filters must be replaced immediately.
- Never disassemble parts to clean. Parts should be disassembled by qualified persons only.

***Read and save these instructions.***



## WARNING!

### IMPORTANT — OBSERVE ALL GOVERNING CODES AND ORDINANCES.

1. For general ventilation use only. Do not use this appliance to exhaust hazardous or explosive materials and vapors.
2. To reduce the risk of fire, use only metal ductwork.
3. To avoid damage to the motor or other components, keep drywall spray, construction dust, etc. off the power unit.
4. Please read the specification label on the product for further information and requirements.



## CAUTION!

### GROUNDING INSTRUCTIONS

This appliance must be grounded. In the event of an electrical short circuit, grounding reduces the risk of electric shock by providing an escape wire for the electric current. This appliance is equipped with a cord having a grounding wire with a grounding plug. The plug must be plugged into an outlet that is properly controlled and grounded.



All electrical wiring must be properly installed, insulated, and grounded. Improper insulation and grounding will result in deadly electrical shock.

## WARNING!

- Improper grounding can result in a risk of electric shock.
- Consult a qualified electrician if the grounding instructions are not completely understood, or if doubt exists as to whether the appliance is properly grounded.
- Do not use an extension cord. If the power supply cord is too short, have a qualified install an outlet near the appliance.



## CAUTION!

- Do not operate any fan with a damaged cord or plug. Discard fan or return to an authorized service facility for examination and/or repair.
- Do not run cord under carpeting. Do not cover the cord with throw rugs, runners, or similar coverings. Do not route cord under furniture or appliances. Arrange cord away from traffic area and where it will not be tripped over.
- At least two people are needed to move and safely install the appliance. Failure to properly lift the range hood could result in product damage and personal injury.
- Never dispose cigarette ashes, ignitable substances, or any foreign objects in the fans.

***Read and save these instructions.***

# INSTALLATION INSTRUCTIONS

*CAUTION: Before beginning the installation, switch the power off at the circuit breaker and lock the service, disconnecting means to prevent power from being switched on accidentally. When the service disconnecting means cannot be locked, securely fasten a prominent warning device, such as a tag, to the breaker.*

## DAMAGE

- If the unit is damaged in shipment, return the unit to the store in which it was bought for repair or replacement.
- If the unit is damaged by the customer, repair or replacement is the responsibility of the customer.
- If the unit is damaged by the installer (if other than the customer), repair or replacement must be made by arrangement between the customer and installer.

## WIRING CONNECTION

Installation work and electrical wiring must be done by a qualified person(s) in accordance with all applicable codes and standards, including fire-rated construction.

- Electrical grounding is required for this range hood. Check with a qualified electrician if you are not sure whether the range hood is properly grounded. A fuse in the neutral or grounding circuit could result in electrical shock.
- Failure to follow electrical requirements may result in a fire.
- If the hot/cold water pipe is interrupted by plastic nonmetallic gaskets or other materials, DO NOT use them for grounding.
- **DO NOT GROUND TO A GAS PIPE.**

**NOTE:** It is the customer's responsibility to contact a qualified electrical installer and assure that the electrical installation is adequate and complies with the National Electrical Code, or CSA standards, as well as all local codes and ordinances.

- Save installation instructions for electrical inspector's use.
- If codes permit and a separate ground wire is used, it is recommended that a qualified electrician determine if the ground path is adequate.
- DO NOT use an extension cord or adapter plug with this appliance.
- The range hood must be connected with copper wire only.
- The range hood should be connected directly to the junction (or circuit breaker) box through flexible, armored, or nonmetallic sheathed copper cable. Allow some slack in the cable so the appliance can be moved if servicing is ever necessary.
- A UL listed or CSA approved conduit connector must be provided at each end of the power supply cable (at the range hood and at the junction box).
- When making the electrical connection, cut a 3.2 cm (1-1/4" hole in the wall. A hole cut through wood must be sanded until smooth. A hole through metal must have a grommet.
- When cutting or drilling into the wall or ceiling, do not damage electrical wiring and other hidden utilities.

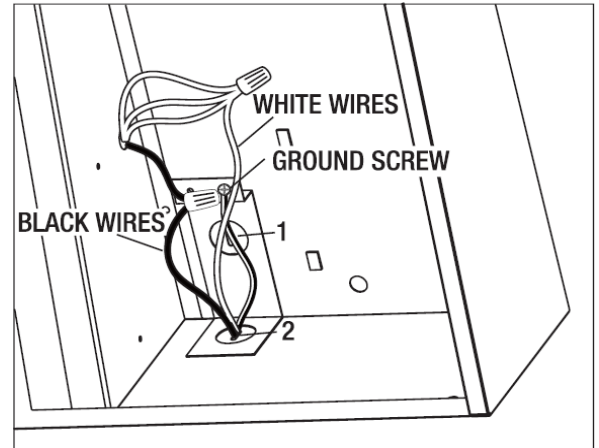
**NOTE:** Temporarily wire the range hood to test it for proper operation. If the range hood does not operate correctly, do not proceed with the installation.



**DANGER:** Risk of electrical shock. This range hood must be properly grounded.

## For Wired Models:

1. Use the power supply cable to connect the range hood directly to the junction box or circuit breaker box. Use a flexible, armored, or nonmetallic sheathed copper cable only. Never use an extension cord or adapter plug.
2. Connect a UL-listed or CSA-approved conduit connector to each end of the power supply cable (at the range hood and at the junction box).  
Connect the 2 colored wires from the range hood to the corresponding wires from the electrical source: black to black (live), white to white (neutral), and the house grounding wire to the ground screw. Use either the top hole (1) or the back hole (2) of the range hood depending on your installation type.
3. Turn the power on and ensure that the lights and the fan are operating correctly.
4. Once you have tested the electrical connection, disconnect the power supply cable and wires from the electrical source before proceeding with the rest of the installation.



### For Power Cord Models (Models with PTC and PTC2 suffix):

Plug the power cord into a designated functioning and properly grounded outlet.

Since this hood is to be installed in a recirculating, non-vented, ductless manner, do not knock out any vent openings in the hood.

**WARNING:** Always wear safety goggles and gloves during installation.

**WARNING:** Failure to replace worn out or damaged filters will increase the risk of fire.

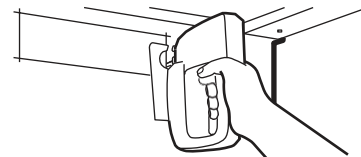
**NOTE:** Mount the hood body flush with the front face of the cabinet door to ensure airflow is not obstructed. If your cabinet box is exactly 12 inches deep with a 3/4-inch door thickness, the hood should be positioned 3/4 inch away from the back wall. However, cabinet dimensions vary, so measure carefully before drilling the installation holes.

## Mark Holes

- Use the hood as a template and mark the locations on the cabinet for keyhole screw slots.
- Since the hood is to be recirculated (not to be vented outside), do not cut out any vent openings in the wall or cabinet bottom.

## Cut Holes

- Drive a mounting screw (from the hardware packet) partway into each center of the narrow neck of the keyhole slots marked on the cabinet bottom.



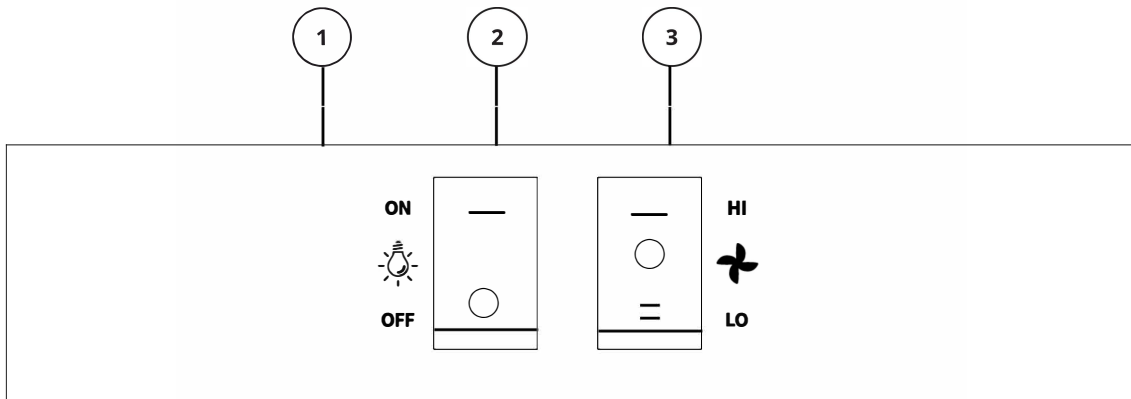
The installation is complete. Turn on the power at the breaker box and test the hood for proper operation.

**WARNING:** Light bulbs can become hot when turned on. Do not touch bulbs until they are switched off and cooled. Touching hot bulbs could cause serious burns.

**WARNING:** Charcoal filters are NOT dishwasher safe.

# OPERATING YOUR RANGE HOOD

## Controls



1. **Range Hood Control Panel**  
The control panel is located on the front of the canopy.
2. **Light Switch**  
The light switch toggles between ON and OFF.
3. **Fan Power Supply**  
The power switch toggles between the fan settings LO, HI, and OFF.

## Retractable Range Hood Tray

Your model is equipped with two (2) **aluminum mesh & charcoal combination filters**. One is fixed to the range hood. The other is attached to the retractable tray. The **combination filters** help to filter oils, smoke, and smells while you are cooking.

To use the retractable filter, extend the tray to the out position and select the desired fan speed.

**NOTE:** We recommend that the retractable tray for ADA models always remain in the out position to comply with ADA guidelines. For instructions on how to install a remote switch to make this unit ADA-compliant (see page 8).

# REMOTE SWITCH INSTALLATION

## (for models with ADA prefix)

To comply with ADA standards, models with ADA as the prefix, install a remote switch separate from the control panel to operate the fan and light functions of the range hood.

**NOTE:** Installation and service must be performed by a qualified installer/electrician.

**WARNING:** To avoid fire or electrical shock, turn off the power at the circuit breaker or fuse. Test to ensure that the power is off before wiring.

### *TRANSFERRING THE LEADS*

1. Unscrew the top panel to access the switch leads
2. Disconnect the leads from the switches
3. Transfer the leads to where the wall knock out is
4. Mount the single gang - recessed **switch box**

**NOTE:** To install this switch in accordance with ADA guidelines, the height of the light switch must be no lower than 15" from the floor and no higher than 48" from the floor. Additional regulations apply if there are any obstructions in front of the switch. For more information, refer to Section 308 of the most recent ADA Standards for Accessible Design at [ada.gov](http://ada.gov).

### *WIRING*

**Switch Configuration:** The fan switch has three (3) terminals. The light switch has two (2) terminals.

1. **Connecting the Fan Switch**  
Connect the fan switch lead to the corresponding terminals on the wall plate.  
(i.e. **LEAD #1** in the fan terminal will connect to **TERMINAL #1** on the wall plate)
2. **Connecting the Light Switch**  
Connect the light switch lead to the corresponding terminals on the wall plate.

### *ATTACHING THE WALL PLATE*

1. Once the switches are wired, align the **wall plate** with the switch box.
2. **Secure the wall plate** to the switch box using the provided screws.

For a clean appearance, the switches on the range hood should remain in place.

# CLEANING AND CARE

## Combination Filters (Aluminum Mesh & Charcoal)

**CAUTION:** Ensure the range hood is disconnected from the power supply and all surfaces are cool before cleaning any part of the vent hood.

**NOTE:** DO NOT rinse or place filters in an automatic dishwasher.

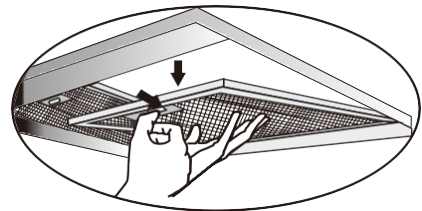
- The aluminum mesh cassette holds oils and dust from the air while the charcoal filter layer helps remove smoke and odors.
- **The filters cannot be cleaned and must be replaced.**

**NOTE:** To purchase replacement filters please call us at (718) 893-3900 or order directly on our website: <https://summitapplianceparts.com/HRTXFILTERSET/>

## Replace the Filters

Your range hood is equipped with two filters. One is fixed to the range hood. The other is in the retractable tray. **The filters are NOT dishwasher safe and must be replaced every 6-12 months depending on usage.**

1. Ensure the range hood is disconnected and all surfaces are cool.
2. Remove the screws that hold the **fixed filter** in place.
3. Click the spring clamps then gently pull it out of the frame.
4. Pull out the retractable tray to remove the **retractable filter**.
5. Insert new filters in place.



## Replace Light Bulb

1. Remove the filter and turn off the power at the breaker
2. Turn it counterclockwise and remove from the socket.
3. Insert the replacement bulb and turn clockwise.
4. For optimal performance, replacement bulb should be a **5W GU10 LED bulb**

## Surface

**CAUTION:** When cleaning the hood surfaces, be certain that you do not touch the light bulb with moist hands or cloth. A warm or hot light bulb may break if touched with a moist surface. Always let the light bulb cool completely before cleaning around it.

- Stainless Steel Surfaces (on some models) Do not use a steel-wool pad; it will scratch the surface.
- To clean the stainless steel surface, use warm sudsy water or a stainless steel cleaner or polish. Always wipe the surface in the direction of the grain. Follow the cleaner instructions for cleaning the stainless steel surface.

**NOTE:** To purchase replacement filters please call us at **(718) 893-3900** or order directly on our website: <https://summitapplianceparts.com/HRTXFILTERSET/>

- Do not use steel-wool pads or other abrasive cleaners on painted surfaces. They will scratch the surface.
- Clean grease-laden surfaces of the hood frequently. To clean the hood surface, use a hot, damp cloth with a mild detergent suitable for painted surfaces. About one tablespoon of ammonia may be added to the water.

## TROUBLESHOOTING

You can solve many common problems easily, possibly avoiding the cost of a service call. Review the suggestions below to see if the issue can be resolved before contacting a service technician.

Problem	Possible Cause	Possible Solution
The fan does not work but the lights do.	Loose, disconnected, or damaged wiring.	Turn off the power at the service panel and lock the service disconnect to prevent accidental power restoration. If the service disconnect cannot be locked, securely attach a clearly visible warning device, such as a tag, to the service panel to alert others.  Check the wiring connections. See the <i>CONNECT WIRING</i> section in this user manual.

If you have checked the table above and find that you still need help with your appliance, call our Customer Service facility at **800-932-4267** (Ext. **513**) between 9:00 AM and 5:00 PM ET or visit [www.summitappliance.com/support](http://www.summitappliance.com/support). We will do our best to answer your questions.

To order replacement parts, visit our website: [summitapplianceparts.com](http://summitapplianceparts.com)

# NOTES

## LIMITED WARRANTY

### ONE-YEAR LIMITED WARRANTY

Warranty coverage is available within the 48 contiguous United States, along with select areas of Alaska, Hawaii, and Canada. For locations not covered, consumers can either contact a local provider or coordinate with Felix Storch, Inc. to find nearby service options, which may qualify for partial reimbursement.

The warranty for this appliance is valid for one year from the date of purchase, provided the appliance is operated and maintained according to the instructions included with the product. The warrantor will cover the cost of factory-specified parts and repair labor needed to correct defects in materials or workmanship. Service must be performed by a designated service company.

All parts, except the compressor, are warranted for one year against manufacturing defects. Plastic parts, shelves, and cabinets are produced to commercially acceptable standards but are not covered for damages incurred during handling or for breakage.

### ITEMS WARRANTOR WILL NOT PAY FOR:

1. Service calls to correct the installation of your appliance, to instruct you how to use your appliance, to replace or repair fuses or to correct wiring or plumbing.
2. Service calls to repair or replace appliance light bulbs or broken shelves. Consumable parts (such as filters) are excluded from warranty coverage.
3. Damage resulting from accident, alteration, misuse, abuse, fire, flood, acts of God, improper installation, installation not in accordance with electrical or plumbing codes, or use of products not approved by warrantor.
4. Replacement parts or repair labor costs for units operated outside the 48 contiguous United States, along with select areas of Alaska, Hawaii, and Canada.
5. Repairs to parts or systems resulting from unauthorized modifications made to the appliance.
6. Expenses for travel and transportation for product service in remote locations.
7. The removal and reinstallation of your appliance if it is installed in an inaccessible location or is not installed in accordance with published installation instructions.

### DISCLAIMER OF IMPLIED WARRANTIES; LIMITATION OF REMEDIES

CUSTOMER'S SOLE AND EXCLUSIVE REMEDY UNDER THIS LIMITED WARRANTY SHALL BE PRODUCT REPAIR AS PROVIDED HEREIN. IMPLIED WARRANTIES, INCLUDING WARRANTIES OF MERCHANTABILITY OR FITNESS FOR A PARTICULAR PURPOSE, ARE LIMITED TO ONE YEAR. WARRANTOR SHALL NOT BE LIABLE FOR INCIDENTAL OR CONSEQUENTIAL DAMAGES. SOME STATES DO NOT ALLOW THE EXCLUSION OR LIMITATION OF INCIDENTAL OR CONSEQUENTIAL DAMAGES, OR LIMITATIONS ON THE DURATION OF IMPLIED WARRANTIES OF MERCHANTABILITY OR FITNESS, SO THESE EXCLUSIONS OR LIMITATIONS MAY NOT APPLY TO YOU. THIS WARRANTY GIVES YOU SPECIFIC LEGAL RIGHTS AND YOU MAY ALSO HAVE OTHER RIGHTS, WHICH VARY FROM STATE TO STATE.



**WARNING: This product can expose you to chemicals including Nickel (Metallic) which is known to the State of California to cause cancer.**

**For more information go to [www.P65Warnings.ca.gov](http://www.P65Warnings.ca.gov)**

Note: Nickel is a component in all stainless steel and some other metallic compositions.

**Felix Storch, Inc.**  
An ISO 9001:2015 registered company  
770 Garrison Ave  
Bronx, New York 10474  
[www.summitappliance.com](http://www.summitappliance.com)

**SUMMIT®**

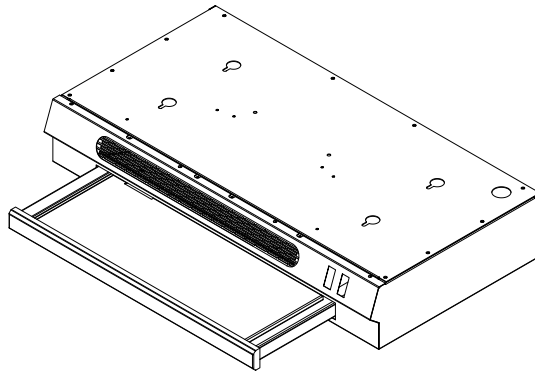
For parts and accessory ordering,  
troubleshooting and helpful hints, visit:  
[www.summitappliance.com/support](http://www.summitappliance.com/support)

Revised: 2026-04-29



# HOTTE DE CUISINE RÉTRACTABLE

Manuel de l'Utilisateur



## Modèles:

HRTX18B	ADAHRTX18B	L18BHRT	LADA18BHRT
HRTX18W	ADAHRTX18W	L18WHRT	LADA18WHRT
HRTX18SS	ADAHRTX18SS	L18SSHRT	LADA18SSHRT
HRTX20B	ADAHRTX20B	L20BHRT	LADA20BHRT
HRTX20W	ADAHRTX20W	L20WHRT	LADA20WHRT
HRTX20SS	ADAHRTX20SS	L20SSHRT	LADA20SSHRT
HRTX24B	ADAHRTX24B	L24BHRT	LADA24BHRT
HRTX24W	ADAHRTX24W	L24WHRT	LADA24WHRT
HRTX24SS	ADAHRTX24SS	L24SSHRT	LADA24SSHRT
HRTX30B	ADAHRTX30B	L30BHRT	LADA30BHRT
HRTX30W	ADAHRTX30W	L30WHRT	LADA30WHRT
HRTX30SS	ADAHRTX30SS	L30SSHRT	LADA30SSHRT

*Les numéros de modèle avec le suffixe PTC indiquent un cordon d'alimentation câblé pour le marché américain, tandis que ceux avec le suffixe PTC2 indiquent un cordon d'alimentation câblé pour le marché canadien. \*\**

**AVANT UTILISATION, VEUILLEZ LIRE ET SUIVRE TOUTES LES RÈGLES DE SÉCURITÉ ET LES INSTRUCTIONS D'UTILISATION**

Modèle:

Numéro de série:

**Felix Storch, Inc.**

Une entreprise certifiée ISO 9001:2015

770 Garrison Avenue

Bronx, New York 10474

[www.summitappliance.com](http://www.summitappliance.com)

# TABLE DES MATIÈRES

CONSIGNES DE SÉCURITÉ IMPORTANTES .....	1
SÉCURITÉ DES ÉQUIPEMENTS .....	2 - 4
INSTRUCTIONS D'INSTALLATION .....	5 - 6
FONCTIONNEMENT DE VOTRE HOTTE DE CUISINE .....	7
INSTALLATION D'UN INTERRUPTEUR À DISTANCE .....	8
NETTOYAGE ET ENTRETIEN .....	9 - 10
DÉPANNAGE .....	10
GARANTIE LIMITÉE .....	12

# CONSIGNES DE SÉCURITÉ IMPORTANTES

---

APPROUVÉ POUR LES APPAREILS RÉSIDENTIELS À USAGE RÉSIDENTIEL UNIQUEMENT

LISEZ ET CONSERVEZ CES INSTRUCTIONS

L'INSTALLATION DOIT SE CONFORMER À TOUS LES CODES LOCAUX.

**IMPORTANT** : Conservez ces instructions pour l'utilisation de l'inspecteur électrique local.

**INSTALLATEUR** : Veuillez laisser ces instructions avec cet appareil pour le propriétaire.

**PROPRIÉTAIRE** : Veuillez conserver ces instructions pour référence future.

## SYMBOLES UTILISÉS DANS CE MANUEL

### AVERTISSEMENT



Dangers ou pratiques dangereuses pouvant entraîner des blessures graves, voire la mort.

### MISE EN GARDE



Dangers ou pratiques dangereuses pouvant entraîner un choc électrique, des blessures corporelles ou des dommages matériels.

### NOTEZ

Conseils et instructions utiles. Ces icônes et symboles d'avertissement sont là pour éviter des blessures à vous-même et à autrui. Veuillez les suivre explicitement. Après avoir lu cette section, conservez-la dans un endroit sûr pour référence future.

---

Pour une copie électronique du manuel d'utilisation, veuillez visiter notre site Web: [www.summitappliance.com](http://www.summitappliance.com)

Pour le support technique, contactez : [techsupport@summitappliance.com](mailto:techsupport@summitappliance.com) ou 1-800-932-4267 (Ext. 513)

---

***Lisez et conservez ces instructions.***

# SÉCURITÉ DE L'ÉQUIPEMENT

- **LISEZ ET CONSERVEZ CES INSTRUCTIONS.**
- **Lisez toutes les instructions avant d'utiliser l'appareil.**
- Utilisez cet appareil uniquement de la manière prévue par le fabricant.  
Si vous avez des questions, contactez le fabricant.

## **AVERTISSEMENT !**

### **POUR RÉDUIRE LES RISQUES D'INCENDIE, DE CHOC ÉLECTRIQUE OU DE BLESSURES CORPORELLES, OBSERVEZ CE QUI SUIT :**

- Les travaux d'installation et le câblage électrique doivent être effectués par une ou plusieurs personnes qualifiées conformément à tous les codes et normes applicables, y compris la construction coupe-feu.
- Suffisamment d'air est nécessaire pour une combustion adéquate et pour l'évacuation des gaz par le conduit de fumée (cheminée) de l'équipement à combustion afin d'éviter le refoulement. Suivez les directives et les normes de sécurité du fabricant de l'équipement de chauffage telles que celles publiées par la National Fire Protection Association (NFPA) et l'American Society for Heating, Refrigeration and Air Conditioning Engineers (ASHRAE) et les autorités locales.
- Lorsque vous coupez ou percez un mur ou un plafond, n'endommagez pas le câblage électrique et autres services publics cachés.
- Avant d'entretenir ou de nettoyer l'unité, coupez l'alimentation au niveau du panneau de service et verrouillez les moyens de déconnexion de service pour éviter toute remise sous tension accidentelle. Lorsque les moyens de déconnexion de service ne peuvent pas être verrouillés, fixez solidement un dispositif d'avertissement bien visible, tel qu'une étiquette, sur le panneau de service.
- Restez à l'écart du papillon en rotation lorsque le moteur tourne.
- N'utilisez aucun accessoire non recommandé par le fabricant.
- N'utilisez pas cet appareil à des fins commerciales.
- N'utilisez pas cet appareil avec un dispositif de contrôle de vitesse à semi-conducteurs.
- Ne réparez ou ne remplacez aucune pièce de l'appareil et ne tentez aucun entretien.

**REMARQUE :** Si, pour une raison quelconque, ce produit nécessite un entretien, nous vous recommandons fortement de faire appel à un technicien certifié pour effectuer l'entretien.

## **AVERTISSEMENT !**

### **POUR RÉDUIRE LE RISQUE D'UN FEU DE GRAISSE SUR LE HAUT DE CUISINIÈRE :**

- Ne laissez jamais les unités de surface sans surveillance à des réglages élevés. Les débordements provoquent de la fumée et des déversements graisseux qui peuvent s'enflammer. Chauffer les huiles lentement à feu doux ou moyen.
- Allumez toujours la hotte lorsque vous cuisinez à feu vif ou lorsque vous flambez des aliments (par exemple, crêpes Suzette, cerises jubiléées, flambée de bœuf au poivre).
- Nettoyez fréquemment les ventilateurs. La graisse ne doit pas s'accumuler sur le ventilateur ou le filtre.
- Utilisez un moule de taille appropriée. Utilisez toujours des ustensiles de cuisine adaptés à la taille de l'élément de surface.

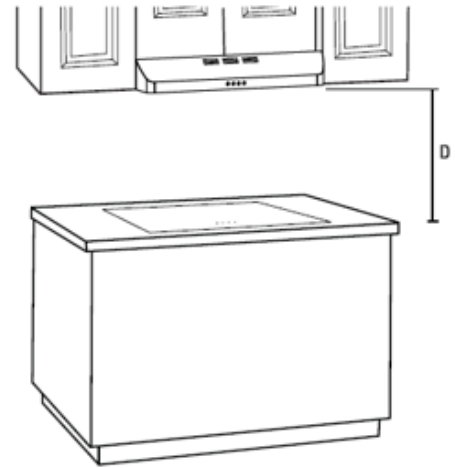


## **MISES EN GARDE**

- Pour usage général de ventilation uniquement. Ne pas utiliser pour évacuer des matières et des vapeurs dangereuses ou explosives.
- Le moteur de votre hotte présente une surcharge thermique qui arrête automatiquement le moteur en cas de surchauffe. Le moteur redémarrera lorsqu'il aura refroidi. Si le moteur continue de s'arrêter et de redémarrer, faites réparer la hotte.

# INFORMATIONS DE SÉCURITÉ POUR LA CUISSON :

- Ne laissez jamais la hotte sans surveillance lorsqu'elle est utilisée. Ne cuisinez jamais sur des flammes nues sous la hotte.
- Allumez toujours la hotte lorsque vous cuisinez à feu vif ou lorsque vous cuisinez des aliments flambés.
- La distance d'installation au-dessus de la cuisinière (D) est de 24 po (610 mm). Soyez extrêmement prudent car la surface de la hotte peut devenir extrêmement chaude au toucher si la cuisinière fonctionne à puissance élevée pendant une période prolongée.
- Soyez prudent lorsque vous cuisinez avec de l'huile ou avec des friteuses. Une surchauffe peut amener l'huile à atteindre son point d'éclair et à s'enflammer. L'huile usagée s'enflamme à des températures plus basses que l'huile neuve. Chauffer les huiles lentement à feu doux à moyen.
- Évitez les débordements, car ils pourraient provoquer de la fumée et des déversements graisseux qui pourraient s'enflammer.
- Pour éviter les brûlures ou les incendies, utilisez toujours des ustensiles de cuisine adaptés à la taille de l'élément chauffant que vous utilisez.



## AVERTISSEMENT - POUR RÉDUIRE LE RISQUE DE BLESSURES AUX PERSONNES EN CAS D'INCENDIE DE GRAISSE SUR LA CUISINIÈRE. RESPECTEZ CE QUI SUIT\*:

1. ÉTOUFFEZ LES FLAMMES avec un couvercle bien ajusté, une plaque à biscuits ou un plateau en métal, puis éteignez le brûleur. ATTENTION À ÉVITER LES BRÛLURES. Si les flammes ne s'éteignent pas immédiatement. ÉVACUEZ ET APPELEZ LES POMPIERS.
2. NE JAMAIS RAMASSER UNE POÊLE ENFLAMMÉE – Vous pourriez vous brûler.
3. N'UTILISEZ PAS D'EAU, y compris des torchons ou des serviettes mouillés – une violente explosion de vapeur en résulterait.
4. Utilisez un extincteur UNIQUEMENT si:
  - a. Vous savez que vous possédez un extincteur de classe ABC et vous savez déjà comment le faire fonctionner.
  - b. L'incendie est petit et circonscrit à la zone où il s'est déclaré.
  - c. Les pompiers sont appelés.
  - d. Vous pouvez combattre l'incendie dos à la sortie.

Basé sur "Kitchen Fire Safety Tips" publié par la NFPA.



## INFORMATIONS DE SÉCURITÉ POUR LE NETTOYAGE

- Le ventilateur et le filtre doivent être nettoyés périodiquement et maintenus exempts de toute accumulation de cuisson. Les filtres vieux, usés ou cassés doivent être remplacés immédiatement.
- Ne démontez jamais les pièces pour les nettoyer. Les pièces doivent être démontées uniquement par des personnes qualifiées.

***Lisez et conservez ces instructions.***



# AVERTISSEMENT!

## IMPORTANT — RESPECTEZ TOUS LES CODES ET ORDONNANCES GOUVERNEMENTALES.

1. Pour usage de ventilation générale uniquement. N'utilisez pas cet appareil pour évacuer des matières et des vapeurs dangereuses ou explosives.
2. Pour réduire le risque d'incendie, utilisez uniquement des conduits métalliques.
3. Pour éviter d'endommager le moteur ou d'autres composants, gardez le spray pour cloisons sèches, la poussière de construction, etc. hors de l'unité motrice.
4. Veuillez lire l'étiquette de spécifications sur le produit pour plus d'informations et d'exigences.



# MISES EN GARDE!

## INSTRUCTIONS DE MISE À LA TERRE

Cet appareil doit être mis à la terre. En cas de court-circuit électrique, la mise à la terre réduit le risque de choc électrique en fournissant un fil de fuite pour le courant électrique. Cet appareil est équipé d'un cordon doté d'un fil de terre avec une fiche de mise à la terre. La fiche doit être branchée dans une prise correctement contrôlée et mise à la terre.



Tout le câblage électrique doit être correctement installé, isolé et mis à la terre. Une mauvaise isolation et une mauvaise mise à la terre entraîneront un choc électrique mortel.



## AVERTISSEMENT !

- Une mise à la terre incorrecte peut entraîner un risque de choc électrique.
- Consultez un électricien qualifié si les instructions de mise à la terre ne sont pas entièrement comprises ou s'il existe des doutes quant à savoir si l'appareil est correctement mis à la terre.
- N'utilisez pas de rallonge. Si le cordon d'alimentation est trop court, demandez à un technicien qualifié d'installer une prise à proximité de l'appareil.



# MISES EN GARDE!

- Ne faites pas fonctionner un ventilateur dont le cordon ou la fiche est endommagé. Jetez le ventilateur ou retournez-le à un centre de service agréé pour examen et/ou réparation.
- Ne faites pas passer le cordon sous la moquette. Ne couvrez pas le cordon avec des tapis, des tapis ou des revêtements similaires. Ne faites pas passer le cordon sous les meubles ou les appareils électroménagers. Disposez le cordon loin de la zone de circulation et là où il ne risque pas de trébucher.
- Au moins deux personnes sont nécessaires pour déplacer et installer l'appareil en toute sécurité. Ne pas soulever correctement la hotte de cuisine pourrait entraîner des dommages au produit et des blessures.
- Ne jetez jamais de cendres de cigarettes, de substances inflammables ou tout autre corps étranger dans les ventilateurs.

***Lisez et conservez ces instructions.***

# INSTRUCTIONS D'INSTALLATION

*MIS EN GARDE: Avant de commencer l'installation, coupez l'alimentation au disjoncteur et verrouillez le service, en déconnectant les moyens pour empêcher toute mise sous tension accidentelle. Lorsque les moyens de déconnexion de service ne peuvent pas être verrouillés, fixez solidement un dispositif d'avertissement bien visible, comme une étiquette, au disjoncteur.*

## Domage

- Si l'appareil est endommagé pendant le transport, renvoyez-le au magasin où vous l'avez acheté pour réparation ou remplacement.
- Si l'appareil est endommagé par le client, la réparation ou le remplacement est à la charge du client.
- Si l'unité est endommagée par l'installateur (si autre que le client), la réparation ou le remplacement doit être effectué par arrangement entre le client et l'installateur.

## Connexion du Câblage

Les travaux d'installation et le câblage électrique doivent être effectués par une ou des personnes qualifiées conformément à tous les codes et normes applicables, y compris la construction coupe-feu.

- Une mise à la terre électrique est requise pour cette hotte. Vérifiez auprès d'un électricien qualifié si vous n'êtes pas certain que la hotte soit correctement mise à la terre. Un fusible dans le circuit neutre ou de mise à la terre peut entraîner un choc électrique.
- Le non-respect des exigences électriques peut provoquer un incendie.
- Si le tuyau d'eau chaude/froide est interrompu par des joints en plastique non métalliques ou d'autres matériaux, NE PAS les utiliser pour la mise à la terre.
- **NE PAS METTRE À LA TERRE À UN TUYAU DE GAZ.**

**REMARQUE:** Il est de la responsabilité du client de contacter un installateur électricien qualifié et de s'assurer que l'installation électrique est adéquate et conforme au Code national de l'électricité ou aux normes CSA, ainsi qu'à tous les codes et ordonnances locaux.

- Conservez les instructions d'installation à l'usage de l'inspecteur électrique.
- Si les codes le permettent et qu'un fil de terre séparé est utilisé, il est recommandé qu'un électricien qualifié détermine si le chemin de terre est adéquat.
- N'UTILISEZ PAS de rallonge ou d'adaptateur avec cet appareil.
- La hotte de cuisine doit être connectée uniquement avec du fil de cuivre.
- La hotte doit être connectée directement à la boîte de jonction (ou disjoncteur) par un câble en cuivre flexible, armé ou gainé non métallique. Laisser un peu de mou dans le câble afin que l'appareil puisse être déplacé si un entretien est nécessaire.
- Un connecteur de conduit répertorié UL ou approuvé CSA doit être fourni à chaque extrémité du câble d'alimentation (à la hotte de cuisinière et à la boîte de jonction).
- Lors de la connexion électrique, percez un trou de 3,2 cm (1-1/4 po) dans le mur. Un trou percé dans le bois doit être poncé jusqu'à ce qu'il soit lisse. Un trou dans le métal doit avoir un œillet.
- Lorsque vous coupez ou percez dans le mur ou le plafond, n'endommagez pas le câblage électrique et les autres utilités cachées.

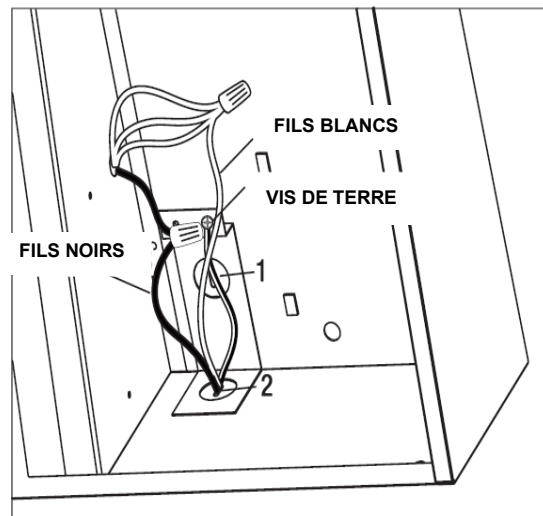
**NOTEZ:** Câblez temporairement la hotte pour tester son bon fonctionnement. Si la hotte ne fonctionne pas correctement, ne procédez pas à l'installation.



**DANGER:** Risque de choc électrique. Cette hotte doit être correctement mise à la terre

## Pour les Modèles Filaires:

1. Utilisez le câble d'alimentation pour connecter directement la hotte à la boîte de jonction ou au boîtier de disjoncteurs. Utilisez uniquement un câble en cuivre flexible, blindé ou non métallique. N'utilisez jamais de rallonge ou de prise d'adaptateur.
2. Connectez un connecteur de conduit homologué UL ou CSA à chaque extrémité du câble d'alimentation (au niveau de la hotte et de la boîte de jonction). Connectez les 2 fils de couleur de la hotte aux fils correspondants de la source électrique : noir au noir (sous tension), blanc au blanc (neutre) et le fil de terre de la maison à la vis de terre. Utilisez soit le trou supérieur (1) soit le trou arrière (2) de la hotte selon votre type d'installation.
3. Mettez l'appareil sous tension et assurez-vous que les lumières et le ventilateur fonctionnent correctement.
4. Une fois que vous avez testé la connexion électrique, débranchez le câble d'alimentation et les fils de la source électrique avant de procéder au reste de l'installation.



### Pour les modèles de cordon d'alimentation (modèles avec suffixe PTC et PTC2):

Branchez le cordon d'alimentation dans une prise de courant fonctionnelle et correctement reliée à la terre.

Étant donné que cette hotte doit être installée de manière à ce qu'elle soit à recirculation, sans ventilation et sans conduit, ne percez aucune ouverture de ventilation dans la hotte.



**AVERTISSEMENT:** Portez toujours des lunettes de sécurité et des gants pendant l'installation.



**AVERTISSEMENT:** Le non-remplacement des filtres usés ou endommagés augmente le risque d'incendie.

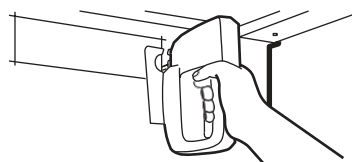
**Remarque:** Montez le corps de la hotte à fleur avec la façade avant de la porte d'armoire afin de garantir que le débit d'air n'est pas obstrué. Si votre caisson d'armoire a une profondeur exacte de 12 po et une porte de 3/4 po d'épaisseur, la hotte devra être positionnée à 3/4 po du mur arrière. Toutefois, les dimensions des armoires peuvent varier; mesurez donc soigneusement avant de percer les trous d'installation.

## Marquer les Trous

- Utilisez la hotte comme gabarit et marquez les emplacements sur l'armoire pour les fentes de vis en trou de serrure.
- Étant donné que la hotte doit être recirculée (et non ventilée à l'extérieur), ne découpez aucune ouverture d'aération dans le mur ou dans le fond de l'armoire.

## Percer des Trous

- Enfoncez une vis de montage (provenant du paquet de matériel) à mi-chemin dans chaque centre du col étroit des fentes en trou de serrure marquées sur le bas de l'armoire.



Enfoncez une vis de montage (provenant du paquet de matériel) à mi-chemin dans chaque centre du col étroit des fentes en trou de serrure marquées sur le bas de l'armoire.



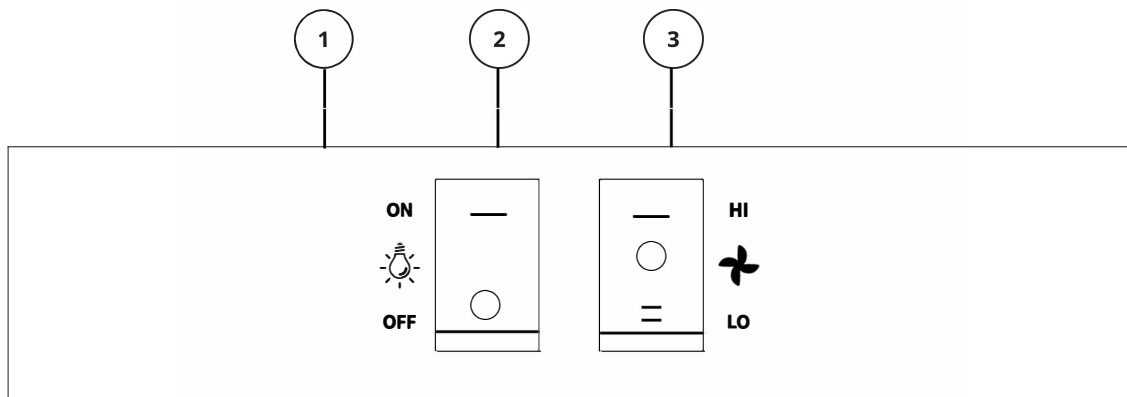
**AVERTISSEMENT:** Les ampoules peuvent devenir chaudes lorsqu'elles sont allumées. Ne touchez pas les ampoules tant qu'elles ne sont pas éteintes et refroidies. Le contact avec des ampoules chaudes peut provoquer de graves brûlures.



**AVERTISSEMENT:** Les filtres à charbon ne vont PAS au lave-vaisselle.

# FONCTIONNEMENT DE VOTRE HOTTE DE CUISINE

## Contrôles



### 1. Panneau de Commande de la Hotte

Le panneau de commande est situé à l'avant de la canopée.

### 2. Interrupteur d'Éclairage

L'interrupteur d'éclairage bascule entre ON et OFF.

### 3. Alimentation du Ventilateur

L'interrupteur d'alimentation bascule entre les réglages du ventilateur LO, HI et OFF.

## Plateau Rétractable pour Hotte de Cuisinière

Votre modèle est équipé de deux (2) **filtres combinés en maille d'aluminium et en charbon de bois**. L'un est fixé à la hotte de cuisinière. L'autre est fixé au plateau rétractable. Les **filtres combinés** aident à filtrer les huiles, la fumée et les odeurs pendant que vous cuisinez.

Pour utiliser le filtre rétractable, déployez le plateau jusqu'à la position extérieure et sélectionnez la vitesse de ventilation souhaitée.

**REMARQUE:** Nous recommandons que le plateau rétractable des modèles ADA reste toujours en position sortie pour se conformer aux directives ADA. Pour obtenir des instructions sur la façon d'installer un interrupteur à distance pour rendre cet appareil conforme à l'ADA (voir page 8).

# INSTALLATION D'UN INTERRUPTEUR À DISTANCE

## (for models with ADA prefix)

Pour se conformer aux normes ADA, les modèles avec ADA comme préfixe doivent installer un interrupteur à distance séparé du panneau de commande pour faire fonctionner les fonctions de ventilateur et d'éclairage de la hotte.

**REMARQUE:** L'installation et l'entretien doivent être effectués par un installateur/électricien qualifié.

**AVERTISSEMENT:** pour éviter tout risque d'incendie ou d'électrocution, coupez l'alimentation au niveau du disjoncteur ou du fusible. Vérifiez que l'alimentation est coupée avant de procéder au câblage.

### TRANSFERT DES LEADS

1. Dévissez le panneau supérieur pour accéder aux fils de l'interrupteur
2. Débranchez les fils des interrupteurs
3. Transférez les fils à l'endroit où se trouve l'entrée défonçable murale
4. Montez le boîtier d'interrupteur encastré à un seul groupe

**REMARQUE:** Pour installer cet interrupteur conformément aux directives de l'ADA, la hauteur de l'interrupteur ne doit pas être inférieure à 15 po du sol ni supérieure à 48 po du sol. Des réglementations supplémentaires s'appliquent s'il y a des obstacles devant l'interrupteur. Pour plus d'informations, reportez-vous à la section 308 des normes ADA les plus récentes pour la conception accessible sur [ada.gov](http://ada.gov).

### CÂBLAGE

Configuration du commutateur: Le commutateur du ventilateur possède trois (3) bornes. L'interrupteur d'éclairage possède deux (2) bornes.

#### 1. Connexion de l'Interrupteur du Ventilateur

Connectez le fil de l'interrupteur du ventilateur aux bornes correspondantes de la plaque murale (c'est-à-dire que le fil n°1 de la borne du ventilateur se connectera à la borne n°1 de la plaque murale)

#### 2. Connexion de l'interrupteur d'éclairage

Connect the light switch lead to the corresponding terminals on the wall plate.

### FIXATION DE LA PLAQUE MURALE

1. Une fois les interrupteurs câblés, alignez la plaque murale avec le boîtier de commutation.
2. Fixez la plaque murale au boîtier de commutation à l'aide des vis fournies.

Pour une apparence propre, les interrupteurs de la hotte doivent rester en place.

# NETTOYAGE ET ENTRETIEN

## Filtres Combinés (Maille en Aluminium et Charbon)

**ATTENTION:** Assurez-vous que la hotte est débranchée de l'alimentation électrique et que toutes les surfaces sont froides avant de nettoyer une partie de la hotte.

**REMARQUE:** NE PAS rincer ni placer les filtres dans un lave-vaisselle automatique.

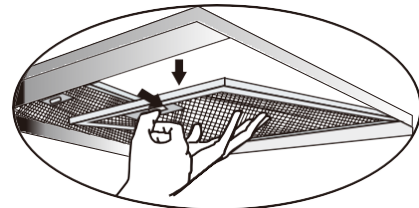
- La cassette en maille d'aluminium retient les huiles et la poussière de l'air tandis que la couche filtrante au charbon aide à éliminer la fumée et les odeurs.
- **Les filtres ne peuvent pas être nettoyés et doivent être remplacés.**

**REMARQUE:** Pour acheter des filtres de remplacement, veuillez nous appeler au (718) 893-3900 ou commander directement sur notre site Web : <https://summitapplianceparts.com/HRTXFILTERSET/>

## Remplacer les Filtres

Votre hotte est équipée de deux filtres. L'un est fixé à la hotte. L'autre se trouve dans le bac rétractable. **Les filtres ne passent PAS au lave-vaisselle et doivent être remplacés tous les 6 à 12 mois selon l'utilisation.**

1. Assurez-vous que la hotte est débranchée et que toutes les surfaces sont froides.
2. Retirez les vis qui maintiennent le filtre fixe en place.
3. Cliquez sur les pinces à ressort, puis retirez-les délicatement du cadre.
4. Retirez le plateau rétractable pour retirer le filtre rétractable.
5. Insérez les nouveaux filtres en place.



## Remplacer l'Ampoule

Pour remplacer l'ampoule, tournez-la dans le sens inverse des aiguilles d'une montre et retirez-la de la douille. Insérez l'ampoule de rechange et tournez-la dans le sens des aiguilles d'une montre.

L'ampoule de rechange doit être une ampoule **LED GU10 de 5 W** pour des performances optimales.

## Surface

**ATTENTION :** Lors du nettoyage des surfaces de la hotte, veillez à ne pas toucher l'ampoule avec les mains ou un chiffon humides. Une ampoule chaude ou tiède peut se briser si elle est touchée par une surface humide. Laissez toujours l'ampoule refroidir complètement avant de nettoyer autour d'elle.

- Surfaces en acier inoxydable (sur certains modèles) N'utilisez pas de tampon en laine d'acier, car cela rayerait la surface.
- Pour nettoyer la surface en acier inoxydable, utilisez de l'eau chaude savonneuse ou un nettoyeur ou un produit de polissage pour acier inoxydable. Essayez toujours la surface dans le sens du grain. Suivez les instructions du nettoyeur pour nettoyer la surface en acier inoxydable.

**REMARQUE:** Pour acheter des filtres de remplacement, veuillez nous appeler au **(718) 893-3900** ou commander directement sur notre site Web: <https://summitapplianceparts.com/HRTXFILTERSET/>

- N'utilisez pas de tampons en laine d'acier ou d'autres nettoyeurs abrasifs sur les surfaces peintes. Ils rayeraient la surface.
- Nettoyez fréquemment les surfaces chargées de graisse de la hotte. Pour nettoyer la surface de la hotte, utilisez un chiffon chaud et humide avec un détergent doux adapté aux surfaces peintes. Environ une cuillère à soupe d'ammoniaque peut être ajoutée à l'eau.

## DÉPANNAGE

Vous pouvez résoudre facilement de nombreux problèmes courants, ce qui vous permettra peut-être d'économiser le coût d'une intervention de service. Essayez les suggestions ci-dessous pour voir si vous pouvez résoudre le problème avant d'appeler le réparateur.

Problème	Cause Possible	Solution Possible
Le ventilateur ne fonctionne pas mais les lumières fonctionnent.	Câblage desserré, déconnecté ou endommagé.	Coupez l'alimentation au niveau du panneau de service et verrouillez le sectionneur de service pour éviter tout rétablissement accidentel de l'alimentation. Si le sectionneur de service ne peut pas être verrouillé, fixez solidement un dispositif d'avertissement clairement visible, tel qu'une étiquette, au panneau de service pour alerter les autres.  Vérifiez les connexions de câblage. Consultez la section CONNEXION DU CÂBLAGE dans ce manuel d'utilisation.

Si vous avez consulté le tableau ci-dessus et que vous avez encore besoin d'aide avec votre appareil, appelez notre service clientèle au **800-932-4267 (poste 513)** entre 9 h et 17 h HE ou visitez le site [www.summitappliance.com/support](http://www.summitappliance.com/support). Nous ferons de notre mieux pour répondre à vos questions.

Pour commander des pièces de rechange, veuillez consulter notre site web: [summitapplianceparts.com](http://summitapplianceparts.com)

# Remarques

## GARANTIE LIMITÉE

### GARANTIE LIMITÉE D'UN AN

La couverture de garantie est disponible dans les 48 États continentaux des États-Unis, ainsi que dans certaines régions de l'Alaska, d'Hawaï et du Canada. Pour les endroits non couverts, les consommateurs peuvent soit contacter un fournisseur local, soit coordonner avec Felix Storch, Inc. afin de trouver des options de service à proximité, lesquelles peuvent donner droit à un remboursement partiel.

La garantie de cet appareil est valable pendant un an à compter de la date d'achat, à condition que l'appareil soit utilisé et entretenu conformément aux instructions fournies avec le produit. Le garant prendra en charge le coût des pièces d'origine spécifiées par l'usine et de la main-d'œuvre nécessaire pour corriger les défauts de matériaux ou de fabrication. Le service doit être effectué par une entreprise de service désignée.

Toutes les pièces, sauf le compresseur, sont garanties pendant un an contre les défauts de fabrication. Les pièces en plastique, les étagères et les armoires sont fabriquées selon des normes commerciales acceptables, mais ne sont pas couvertes en cas de dommages subis lors de la manipulation ou de bris.

### ÉLÉMENTS NON COUVERTS PAR LE GARANT:

1. Les appels de service visant à corriger l'installation de votre appareil, à vous expliquer son utilisation, à remplacer ou réparer des fusibles ou à corriger le câblage ou la plomberie.
2. Les appels de service pour réparer ou remplacer les ampoules de l'appareil ou les étagères cassées. Les pièces consommables (comme les filtres) sont exclues de la couverture de garantie.
3. Les dommages résultant d'un accident, d'une modification, d'une mauvaise utilisation, d'un abus, d'un incendie, d'une inondation, de catastrophes naturelles, d'une installation incorrecte, d'une installation non conforme aux codes électriques ou de plomberie, ou de l'utilisation de produits non approuvés par le garant.
4. Les pièces de rechange ou les coûts de main-d'œuvre pour des appareils utilisés en dehors des 48 États continentaux des États-Unis, ainsi que dans certaines régions de l'Alaska, d'Hawaï et du Canada.
5. Les réparations de pièces ou de systèmes résultant de modifications non autorisées apportées à l'appareil.
6. Les frais de déplacement et de transport pour le service du produit dans des endroits éloignés.
7. Le retrait et la réinstallation de votre appareil s'il est installé dans un endroit inaccessible ou non installé conformément aux instructions d'installation publiées.

### EXONÉRATION DE GARANTIES IMPLICITES ; LIMITATION DES RECOURS

LE SEUL ET UNIQUE RECOURS DU CLIENT EN VERTU DE LA PRÉSENTE GARANTIE LIMITÉE CONSISTE EN LA RÉPARATION DU PRODUIT TELLE QUE PRÉVUE CI-DESSUS. LES GARANTIES IMPLICITES, Y COMPRIS LES GARANTIES DE QUALITÉ MARCHANDE OU D'APTITUDE À UN USAGE PARTICULIER, SONT LIMITÉES À UNE DURÉE D'UN AN. LE GARANT NE SERA PAS RESPONSABLE DES DOMMAGES INDIRECTS OU CONSÉCUTIFS. CERTAINS ÉTATS N'AUTORISENT PAS L'EXCLUSION OU LA LIMITATION DES DOMMAGES INDIRECTS OU CONSÉCUTIFS, NI LES LIMITATIONS DE DURÉE DES GARANTIES IMPLICITES DE QUALITÉ MARCHANDE OU D'APTITUDE, DE SORTE QUE CES EXCLUSIONS OU LIMITATIONS PEUVENT NE PAS S'APPLIQUER À VOUS. CETTE GARANTIE VOUS CONFÈRE DES DROITS LÉGAUX SPÉCIFIQUES, ET VOUS POUVEZ ÉGALEMENT BÉNÉFICIER D'AUTRES DROITS QUI VARIENT SELON L'ÉTAT.



**AVERTISSEMENT : ce produit peut vous exposer à des produits chimiques, y compris le nickel (métallique) qui est connu dans l'État de Californie pour provoquer le cancer.**

**Pour plus d'informations, rendez-vous sur [www.65Warnings.ca.gov](http://www.65Warnings.ca.gov)**

Remarque : le nickel est un composant de tout l'acier inoxydable et de certaines autres compositions métalliques

**Felix Storch, Inc.**  
**An ISO 9001:2015 registered company**  
**770 Garrison Ave**  
**Bronx, New York 10474**  
**[www.summitappliance.com](http://www.summitappliance.com)**

# SUMMIT®

Pour la commande de pièces et d'accessoires,  
le dépannage et des conseils utiles, visitez :  
**[www.summitappliance.com/support](http://www.summitappliance.com/support)**