

# ACR1012GNSF456LHD



53.13" x 23.33" x 28.38" (H x W x D)

Upright healthcare all-refrigerator certified to NSF/ANSI 456 with self-closing glass door, front lock, digital controls, and NIST-calibrated temperature readout

### Highlights:

Specially designed to meet current CDC/VFC vaccine refrigeration guidelines for convenient storage in pharmacies, medical offices, and other healthcare facilities

Certified to NSF/ANSI 456 Vaccine Storage Standard

Designed and constructed for reliable cold storage in healthcare facilities

### Product Features:

|                                                    |                                                                                                                                                                                                                                            |
|----------------------------------------------------|--------------------------------------------------------------------------------------------------------------------------------------------------------------------------------------------------------------------------------------------|
| EQTemp Healthcare Refrigerator                     | All-refrigerator designed to operate between 2 and 8°C for a variety of storage application in medical offices and other healthcare facilities                                                                                             |
| Certified to NSF/ANSI 456 Vaccine Storage Standard | Tested to comply with the latest standards                                                                                                                                                                                                 |
| Certificate of calibration included                | The temperature monitoring device (TMD) is calibrated to NIST standards in our ISO/IEC 17025:2017 certified calibration laboratory and ships with a 2-year certificate of calibration for your records                                     |
| Temperature Range: 2° to 8°C                       | Preset to 5°C as recommended for many storage applications                                                                                                                                                                                 |
| Large capacity                                     | Complete 9.88 cu.ft. capacity inside conveniently slim footprint                                                                                                                                                                           |
| External temperature readout                       | Includes continuous display of the current interior and high/low temperature, and can be switched from Celsius to Fahrenheit at the touch of a button                                                                                      |
| High/low temperature alarm                         | Audible alarm sounds if the interior temperature rises or falls out of set range                                                                                                                                                           |
| Buffered temperature probe                         | Thermometer probe is encased in a glass bead-filled bottle and stored in a fixed box on the center shelf. This is the ideal way to produce temperature readings closest to stored contents, as recommended by the CDC and VFC's guidelines |

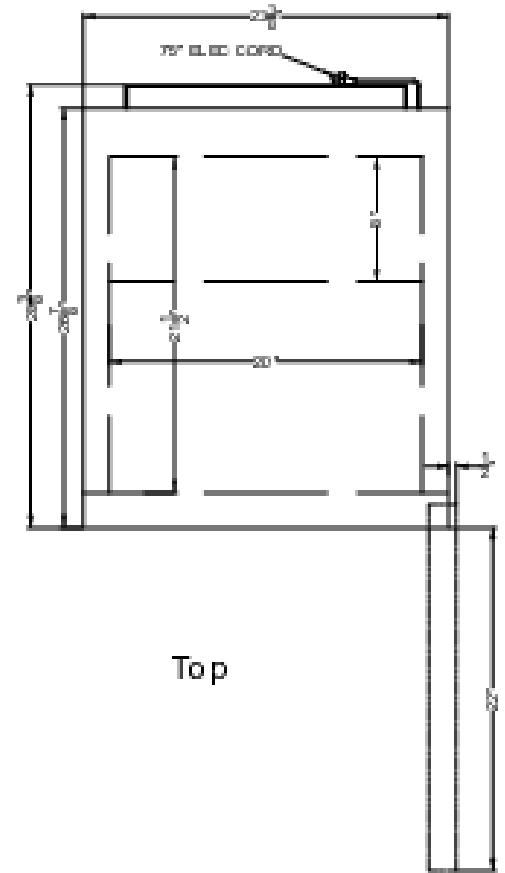
## ACR1012GNSF456LHD Specifications:

| Overview                   |                     |
|----------------------------|---------------------|
| Height of Cabinet          | 53.13" (135 cm)     |
| Width                      | 23.33" (59 cm)      |
| Width with Door Open       | 23.88" (61 cm)      |
| Depth                      | 28.38" (72 cm)      |
| Depth with door at 90°     | 50.25" (128 cm)     |
| Capacity                   | 9.88 cu.ft. (280 L) |
| Defrost Type               | Automatic           |
| Door                       | Glass               |
| Cabinet                    | White               |
| US Electrical Safety       | ETL                 |
| Canadian Electrical Safety | ETL-C               |
| Sanitation                 | ETL-S to NSF 456    |
| Amps                       | 2.0                 |
| Voltage/Frequency          | 115 V AC/60 Hz      |
| Weight                     | 143.3 lbs. (65 kg)  |
| Parts & Labor Warranty     | 1 Year              |
| Compressor Warranty        | 5 Years             |
| UPC                        | 761101107776        |

| Refrigerator Features |                    |
|-----------------------|--------------------|
| Door Swing            | LHD                |
| Reversible            | Factory Reversible |
| Shelf Type            | Wire               |
| Shelf Qty             | 4                  |
| Adjustable Shelves    | Yes                |
| Thermostat Type       | Digital            |
| Fan Type              | Interior           |
| Refrigerant Type      | R600a              |
| Refrigerant Amount    | 55.0oz.            |
| High Side PSI         | 0.85               |
| Low Side PSI          | 1.45               |
| Interior Light        | Yes                |
| Temperature Range     | 2° to 8°C          |

| Dimensions             |                 |
|------------------------|-----------------|
| Interior Height        | 44.63" (113 cm) |
| Interior Width         | 20.0" (51 cm)   |
| Interior Depth         | 21.5" (55 cm)   |
| Compressor Step Height | 9.0" (23 cm)    |

|                       |               |
|-----------------------|---------------|
| Compressor Step Width | 20.0" (51 cm) |
| Compressor Step Depth | 8.0" (20 cm)  |



Top

