



HC20WW



5.5" x 20" x 20" (H x W x D)

20 inch wide under cabinet convertible range hood for ducted or ductless use in white, made in North America

Highlights:

20 inch wide pairs well with a variety of ranges and cooktops

Made in North America in a TAA designated country

Steel construction for lasting durability

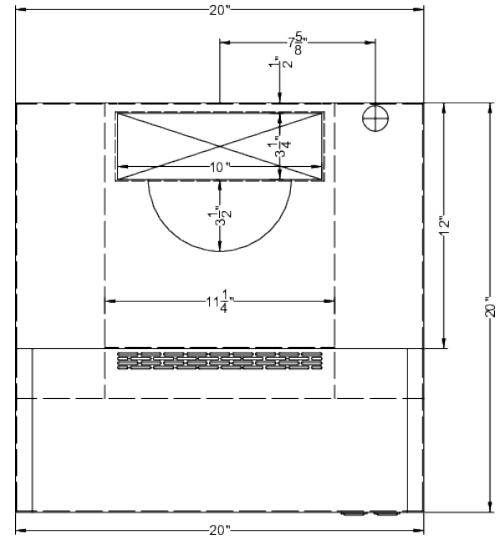
Product Features:

Under cabinet range hood	Low profile design offers classic style to finish your kitchen
20 inch width	Sized for use over 20 inch cooking surfaces (additional sizes available)
Convertible design	Can be used for ducted venting to the outside or recirculating ventilation where no external venting is possible
White finish	Matte finish in classic white suits any kitchen space
Easy conversion	Ships pre-set for recirculating mode but can be converted in a few simple steps
Versatile top or rear exhaust	Can be connected to 3 1/4" x 10" vertical or horizontal exterior venting or 7" round vertical (transition required for both)
Powerful ventilation	Can operate at 270 CFM to ensure thorough ventilation of your cooking surface
Angled airflow	Vents are set at a slight upwards angle, ensuring smoke and odors won't be directed towards the user
Durable 21 gauge steel construction	Powder-coated finish over steel that's 53% heavier gauge than most of the industry's under cabinet hoods

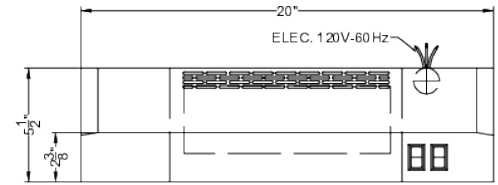


HC20WW Specifications:

Overview	
Height of Cabinet	5.5" (14 cm)
Width	20.0" (51 cm)
Depth	20.0" (51 cm)
Cabinet	White
US Electrical Safety	UL
Canadian Electrical Safety	ULC
Amps	1.7
Voltage/Frequency	115 V AC/60 Hz
Weight	11.0 lbs. (5 kg)
Shipping Weight	16.5 lbs. (7 kg)
Parts & Labor Warranty	1 Year
UPC	761101087061
Range Hood	
Installation	Under Cabinet
Venting	Convertible
Controls	Dial
Number of Fan Speeds	2
Maximum Air Movement	270.0 CFM
Sone Rating	6
Duct Shape	3"1/4" x 10" rectangular or 7" round with transition



TOP VIEW



FRONT VIEW