



CWR9ADA



34" x 17" x 24" (H x W x D)

Fully assembled casework cabinet in ADA compliant height and black finish designed to accept an appliance sized under 32.25" H x 15.5" W

Highlights:

Ships fully assembled

Made in the USA

34" counter height to meet ADA guidelines for accessibility

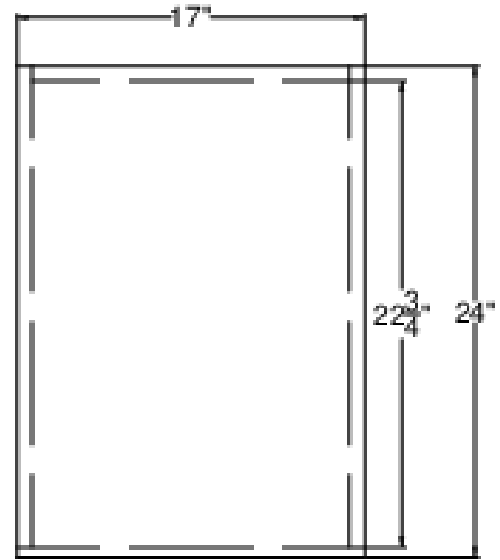
Product Features:

| | |
|-------------------------------|---|
| Casework refrigerator cabinet | 17" wide cabinet with open front to accept undercounter units |
| Ships fully assembled | No assembly required for fast installation in your space |
| ADA Compliant height | 34" high to meet ADA guidelines for accessibility |
| Made in the USA | Engineered wood with laminate finish manufactured and assembled in the United States |
| 32.25" H x 15.5" W opening | Allows you to add a variety of appliances or fixtures as needed |
| Compatible with Summit units | Designed to accept popular Summit units including the ADRD15 drawer refrigerator, ALBV15 beverage center, ALR15B refrigerator, and the ALWC15 wine cellar |
| Lockdowel™ construction | Innovative fastening system ensures lasting durability |
| Black finish | Sleek black laminate finish suits any setting |
| Open rear | Back features a wide opening for easier cleaning, added ventilation, and plenty of space to locate your plug |

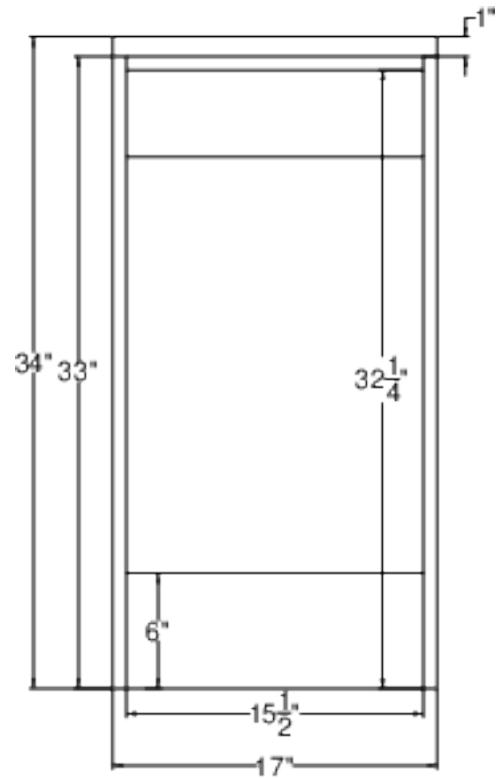


CWR9ADA Specifications:

| Overview | |
|------------------------|-------------------|
| Height of Cabinet | 34.0" (86 cm) |
| Width | 17.0" (43 cm) |
| Depth | 24.0" (61 cm) |
| Cabinet | Black |
| Weight | 65.0 lbs. (29 kg) |
| Shipping Weight | 69.0 lbs. (31 kg) |
| Parts & Labor Warranty | 90 Days |
| UPC | 761101088495 |



Plan



Elev