



H1620W



5" x 20" x 18" (H x W x D)

20 inch wide convertible range hood for ducted or ductless use in white finish

Highlights:

20" wide range hood matches slim apartment sized ranges

Convertible from top or rear venting into non-vented recirculating mode

White finish and contemporary styling

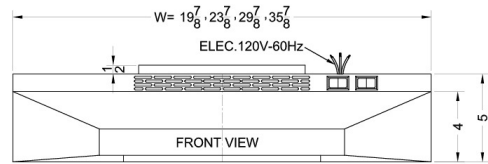
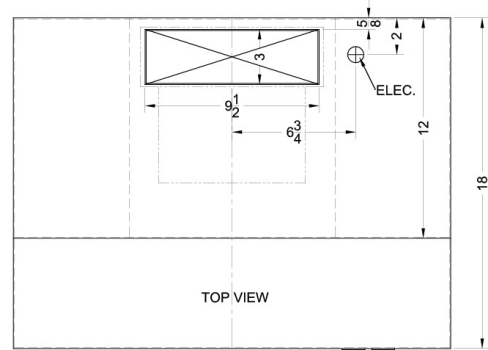
Product Features:

20" wide	Designed to match 20 inch ranges; also available in 24, 30, and 36 inch widths
Convertible range hood	Use top or rear venting or convert into non-vented recirculating mode
White finish	Black, bisque, and stainless steel also available
Two-speed fan	Variable speed for more ventilation options
Light	Switchable light offers more convenience in your kitchen
Aluminum-charcoal filter	Provides thorough filtering to reduce odors
Made in the USA	Solidly constructed for years of use
More sizes available	Additional sizes can be specially ordered (minimums apply)



H1620W Specifications:

Overview	
Height of Cabinet	5.0" (13 cm)
Width	20.0" (51 cm)
Depth	18.0" (46 cm)
Cabinet	White
Voltage/Frequency	115 V AC/60 Hz
Weight	15.0 lbs. (7 kg)
Shipping Weight	17.0 lbs. (8 kg)
Parts & Labor Warranty	1 Year
UPC	761101000466



MODEL NO.	WIDTH
1600EZVx20	19 7/8"
1600EZVx24	23 7/8"
1600EZVx30	29 7/8"
1600EZVx36	35 7/8"