

SERVICE PARTS LIST

CUSTOMER NAME : SUMMIT
 MODEL NAME : BI-605

ITEM NO.	PART NO.	PART NAME	QTY	PRICE
CABINET PARTS				
1	8312132023800	Hinge Top	1	
2		Deleted Item		
3	S31050250001GT	Screw	3	
4	8319232500100	Evap. Support w/pin	4	
5	8319232500100	Evap. Support w/pin	4	
6	831A230516204	Door Evap	1	
7	8312332213900	Grommet	2	
8	8312533288474	Panel Thermo	1	
9		Deleted Item		
10	4233942515	Thermostat	1	
11	8312612013801	Knob Thermo	1	
12	8312612510100	Clip Thermo Knob	1	
13	8312613312408	Button Defrost	1	
14	4231C21970	Door Switch	1	
15	4235C21400	Socket	1	
16	4612C15671	Indicator Lamp	1	
17	8312132023700	Hinge Bottom	1	
18		Deleted Item		
19	S31050250001GT	Screw	2	
20	8312115116800	Plate Aux	1	

833A310560804

Black Door

8330331654610

Black Gasket

SERVICE PARTS LIST

CUSTOMER NAME : SUMMIT
 MODEL NAME : BI-605

ITEM NO	PART NO	PART NAME	QTY	PRICE
21	8312110712100	Frame Size L	1	
22	8312110712200	Frame Size R	1	
23	8312124110900	Plate Reinf	1	
24		Deleted Item		
25	8312130513200	Kick Plate	1	
26	S0440120200000	Screw	2	
27	8312110422300	Frame Bottom	1	
28	8312132219200	Rear Cover	1	
29	8312111013504	Leg	4	
30	132	Bushing	1	
31	8334245C50100	Power Cord	1	
32		Deleted Item		
COOLING UNIT PARTS				
1	No Longer Available	Evaporator	1	
2	8312232012001	Stud Evap	1	
3	8312432715600	Clamp	1	
4	0BC8035800200	Compressor	1	
5	8312430683100	Grommet	4	
6	S1440080001700	Screw	4	
7	4204C15600	PTC Thermister	1	
8	0BC2533800100	Cover	1	

SERVICE PARTS LIST

CUSTOMER NAME : SUMMIT
 MODEL NAME : BI-605

ITEM NO	PART NO	PART NAME	QTY	PRICE
COOLING UNIT PARTS				
9	0BC2892600100	Clip	1	
10	8310410232200	Condenser Assy.	1	
11	8312130621300	Plate Support	1	
12		Deleted Item		
13	S0440120200000	Screw	3	
14	S0440120200000	Screw	2	
15	8310420281000	Dryer	1	
16	833A410650100B	Fan Motor Assy.	1	
21	S1440080001700	Screw	1	
22	8312532614000	Wire Clip	1	
23	8312430412300	Absorber Tube	1	
24	S0440120200000	Screw	1	
25	8312120117000	Plate Cabinet Base	1	
26	8312430970000	Screw	1	
27	8312111013504	Leg	4	
28	4BC4S20001900	Overload Protector	1	
ACCESSORIES				
1	8312221411900	Ice Cube Tray	2	
2	8312220212401	Drip Tray	1	
3	8312220544700	Shelf Upper	2	

SERVICE PARTS LIST

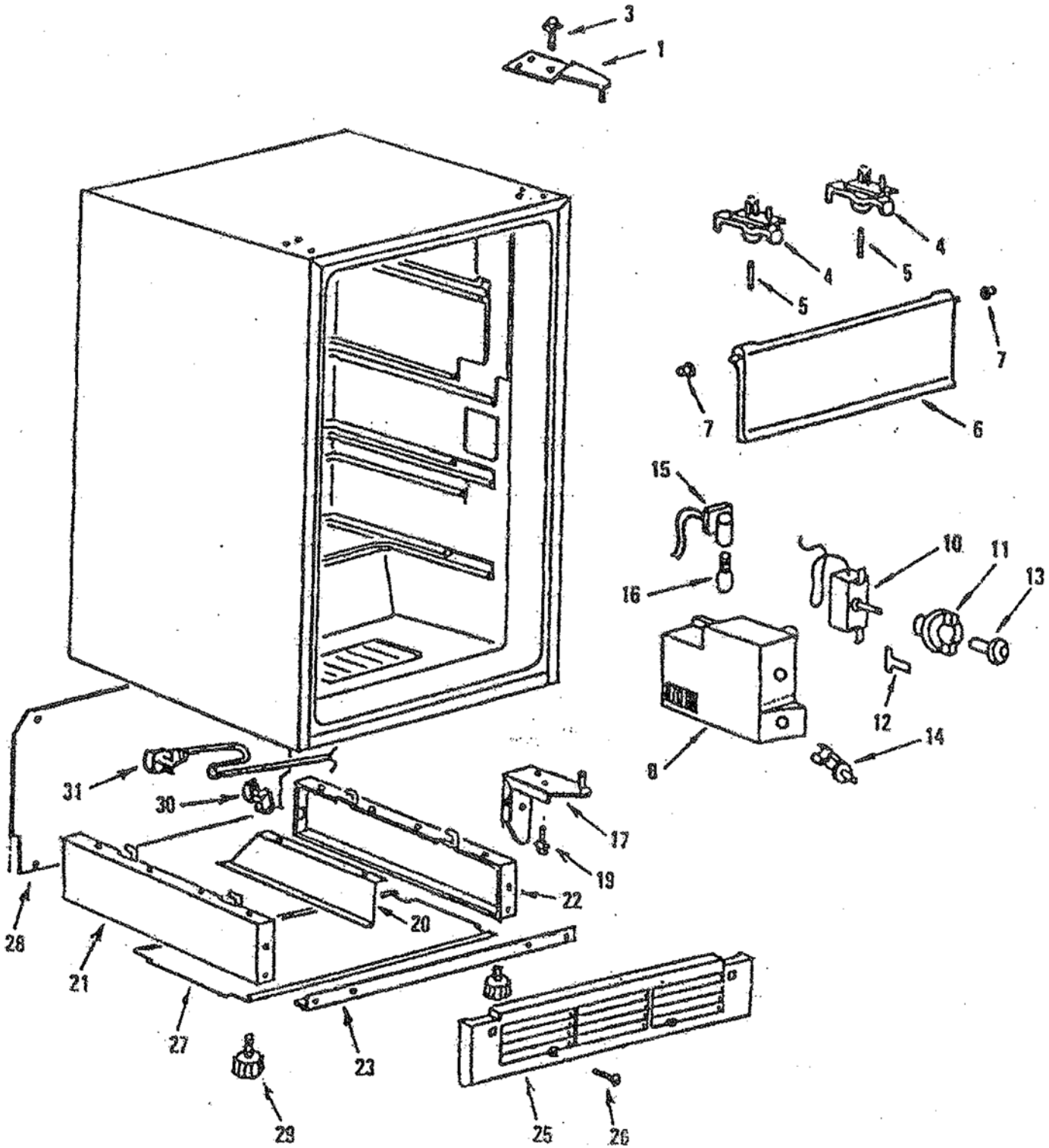
CUSTOMER NAME : SUMMIT
 MODEL NAME : BI-605

ITEM NO.	PART NO.	PART NAME	QTY.	PRICE
4	8312220544800	Shelf Lower	1	
5	8332220650900	Trim Shelf	3	
DOOR PARTS				
1	8330310560801	Foamed Door	1	
2	8312320141400	Door Liner	1	
3	8330331652300	Door Gasket	1	
4	8332320251100	Door Shelf	3	
5	8332330160701	Handle	1	
PARTS NOT ILLUSTRATED				
	8336411954000	Aux. Manual	1	
	8332233658210	FTC Label	1	
	8312132512300	Shim, Hinge Collar A	1	
	8336411955920	Owners Manual		

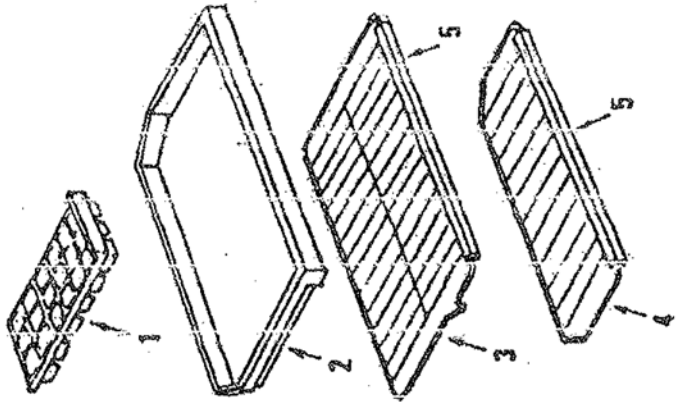
8332111160200 Z-Clip SR 6100 29" 3

8332111160201 Z-Clip SR 6100 23"

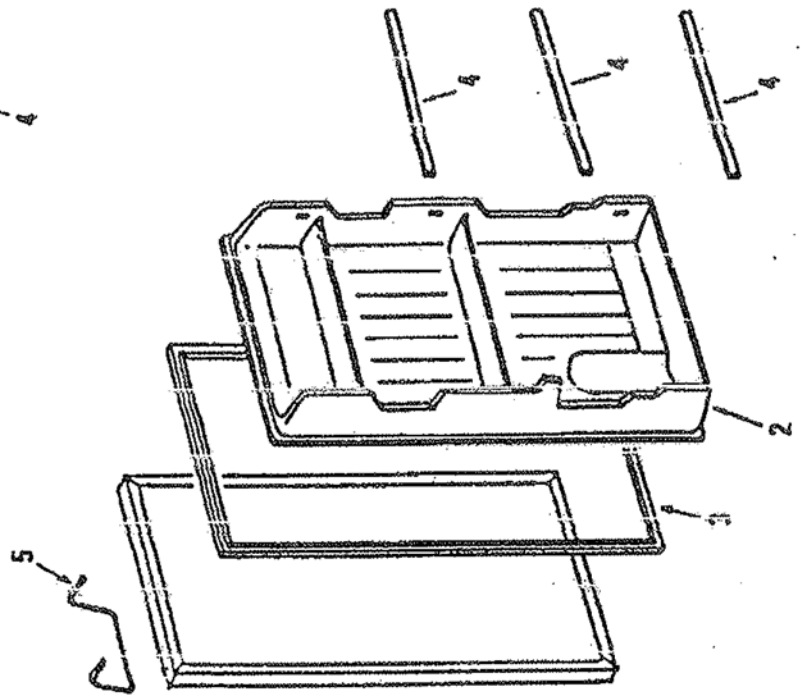
CABINET PARTS



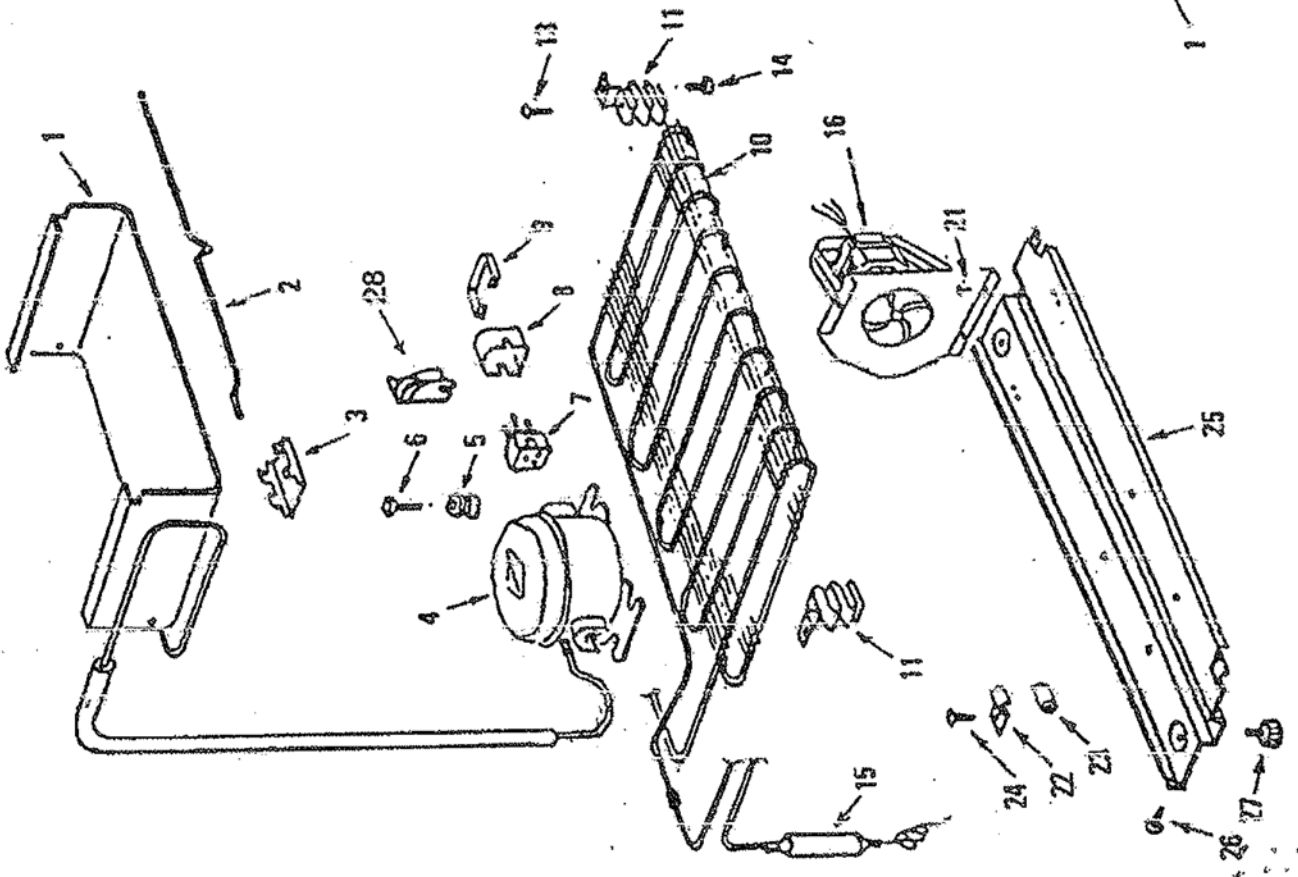
ACCESSORIES



DOOR PARTS



COOLING UNIT PARTS



Part Number	Description	Active	Fig#	Model Qty
WD-0100-10	ARM - CAM FOLLOWER	Y	11	1
WD-0100-12	ARM - OPERATING	Y	10	1
WD-0100-14	ARM - DRIVER/TER PIVOT	Y	42	1
WD-0750-21	BOLT - MOTOR	Y	31	2
WD-0800-06	BOX - FILTER	Y	17	1
WD-1150-05	BUSHING - RUBBER	Y	29	2
WD-1150-16	BUSHING	Y	30	2
WD-1650-16	CLIP	Y	32	1
WD-1650-18	CLIP - PIPE	Y	25	1
WD-1900-11	CORD - POWER	Y	19	1
WD-1950-82	COVER - ELECTRONIC MODULE	Y	23	1
WD-1950-84	COVER - ADDITIVE DRAWER	Y	39	1
WD-2015-20	CUSHION - SPONGE	Y	27	1
WD-2800-15	FILTER	Y	16	1
WD-2800-22	FILTER	Y	18	1
WD-3363-03	HARNESS - WIRE	Y	34	1
WD-3570-31	HOSE - 170mm	Y	4	1
WD-3570-32	HOSE - PRESSURE	Y	26	1
WD-3570-63	HOSE - INLET	Y	37	1
WD-3570-64	HOSE - FILTER TO PUMP	Y	20	1
WD-3570-80	HOSE	Y	36	1
WD-3600-07	HOUSING - DISPENSER	Y	38	1
WD-3600-08	HOUSING - DISPENSER	Y	35	1
WD-4000-25	KNOB	Y	15	1
WD-4260-01	LIGHT - PILOT	Y	40	1
WD-4545-03	MODULE - SPEED	Y	22	1
WD-4550-26	MOTOR - DRYER BLOWER LARGE	Y	28	1
WD-5255-34	PIPE - DRAIN	Y	33	1
WD-5310-06	PLUG	Y	12	1
WD-5470-10	PUMP - DRAIN	FUI	21	1
WD-5585-01	REGULATOR - PRESSURE	Y	WD-5585-01	1
WD-6150-114	SCREW	Y	1	1
WD-6750-37	SPRING	Y	41	1
WD-7100-14	SWITCH - WATER LEVEL	Y	6	1
WD-7100-15	SWITCH - DRAIN WATER LEVEL	Y	5	1
WD-7100-18	SWITCH - SPIN	Y	43	1
WD-7100-19	SWITCH - LOAD	Y	44	1
WD-7100-36	SWITCH - POWER	Y	45	3
WD-7100-41	SWITCH - MICRO DELAY	Y	14	1
WD-7270-01	TERMINAL	Y	2	1
WD-7400-01	TIMER - WASHER	Y	8	1
WD-7400-12	TIMER - DRYING	Y	3	1
WD-7800-31	VALVE - GAS COLLECTING	Y	24	1
WD-8000-09	WHEEL	Y	13	1
WD-9999-31	MANUAL - USE & CARE	Factory Unavailable	9999	1